



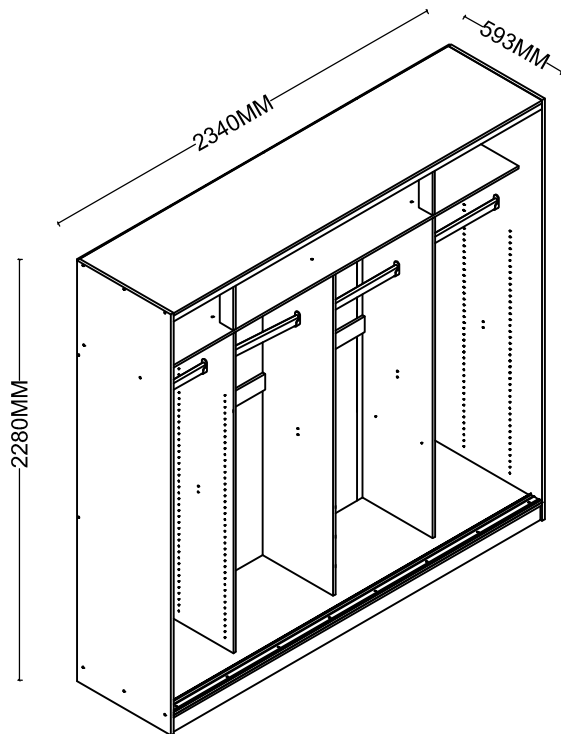
ASSEMBLY INSTRUCTION

Spacemaster Babylon Extra Large Robe Frame

ITEM CODE 54936

Imported by Amart Furniture Pty Ltd, Qld, Brisbane Australia.

For any assistance with assembly or for missing parts please phone
Amart Furniture Ewing Road, Customer Service Free call 1800 351 084



Imported by Amart Furniture Pty Ltd, Qld, Brisbane Australia.

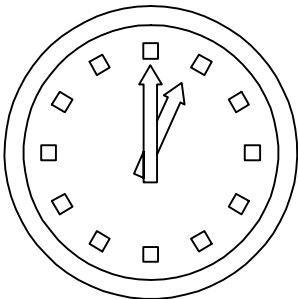
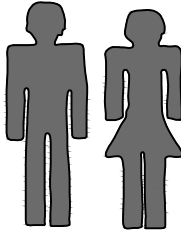
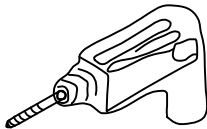

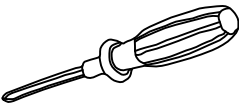


For any assistance with assembly or for missing parts please phone
Amart Furniture Ewing Road, Customer Service Free call 1800 351 084

Item Code- 54936

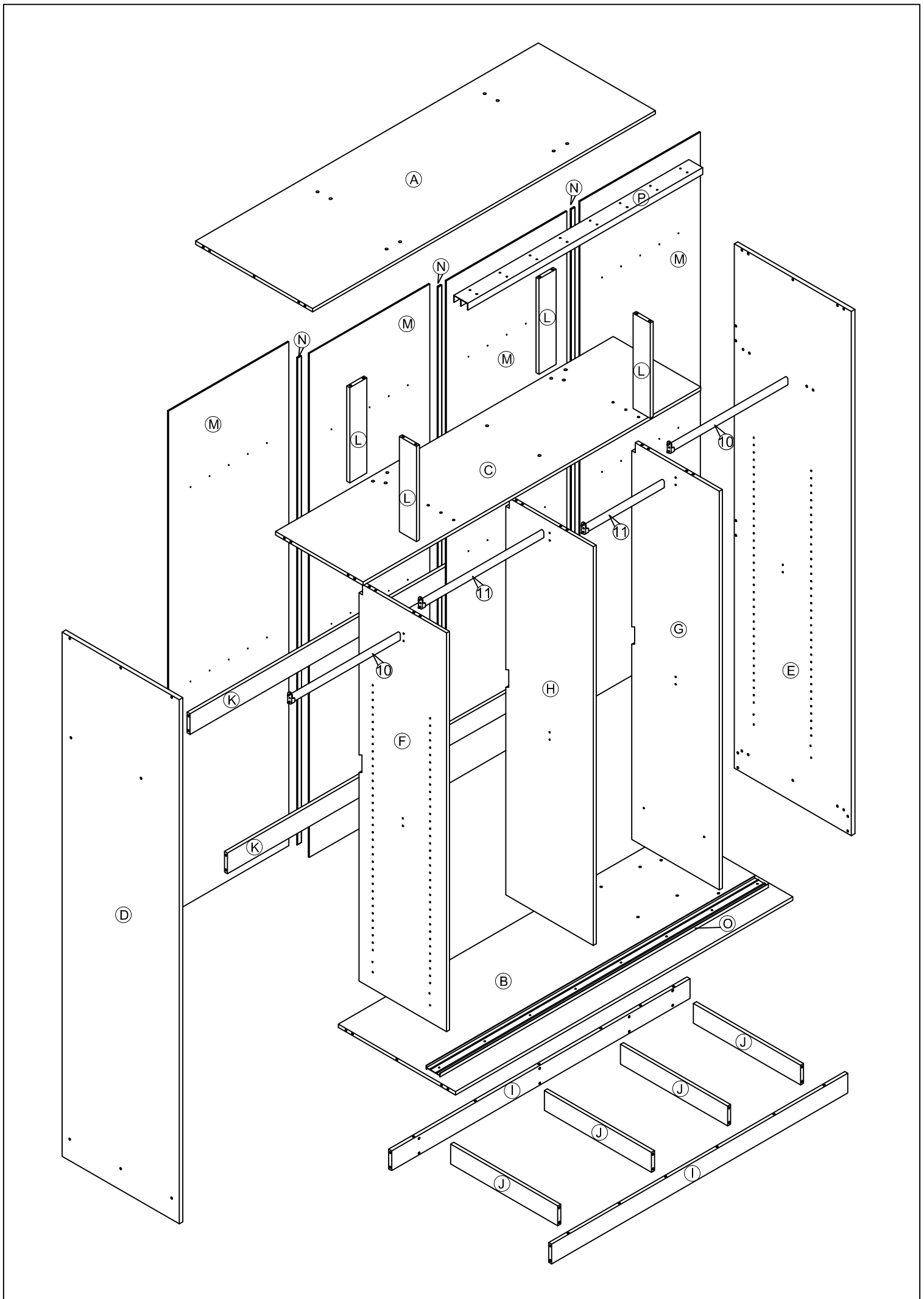
PRE-ASSEMBLY PREPARATION

Before you start:

1. Choose a clean, level, spacious assembly area. Avoid hard surfaces that may damage the product.
2. Take care when lifting. Product should be assembled as near as possible to the point of use.
3. Ensure that you have all required contents for complete assembly.
4. Always read the assembly instructions carefully before beginning assembly.
5. Keep all hardware parts and packaging out of reach of small children.
6. Do not over tighten the screws and bolts as this may damage the threads.

 <p>160min</p>	 <p>2 People Required</p>	<p>IF REQUIRED</p>  <p>Low speed (Ø6mm)</p>
    <p>ADDITIONAL TOOLS REQUIRED</p>		

<h2>⚠ TIPPING WARNING ⚠</h2>	
	<p>Serious or fatal injuries may occur from furniture toppling over. To help avoid this please follow the below recommendations:</p> <ul style="list-style-type: none">• Install the provided "Tipping Kit" as per the instructions• Never allow children to climb on or hang off of any part of this product• Unless specifically designed to accommodate, do not set TVs or other heavy objects on top of this product <p>If this product has drawers:</p> <ul style="list-style-type: none">• Place the heaviest items in lowest drawers• Do not open more than 1 drawer at a time as this may cause the product to become unbalanced• Do not tamper with or remove any drawer interlocking/running system <p>Note: The use of the provided "Tipping Kit" may reduce but not necessarily eliminate the risk of furniture toppling over. Please use this product with caution.</p> <p><i>This is a permanent label. Do not attempt to remove!</i></p>

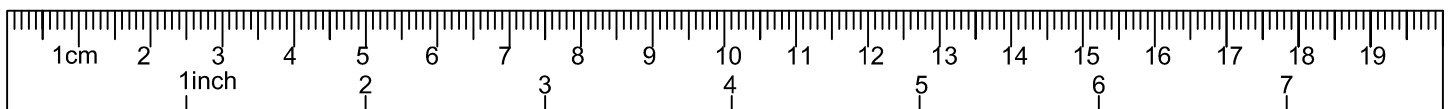


Item Code- 54936


Panel(Mark)	Packing carton	Quantity	Picture	Dimension
A	(Box 2)	1 PC		2305*588*15mm
B	(Box 2)	1 PC		2305*588*15mm
C	(Box 2)	1 PC		2305*440*15mm
D	(Box 1)	1 PC		2280*591*18mm
E	(Box 1)	1 PC		2280*591*18mm
F	(Box 3)	1 PC		1730*440*15mm
G	(Box 3)	1 PC		1730*440*15mm
H	(Box 3)	1 PC		1730*440*15mm
I	(Box 2)	2 PCS		2305*90*15mm
J	(Box 3)	4 PCS		537*90*15mm
K	(Box 2)	2 PCS		2305*90*15mm
L	(Box 3)	4 PCS		414*90*15mm
M	(Box 1)	4 PCS		2190*581*5mm
N	(Box 1)	3 PCS		2158*15*9mm
O	(Box 2)	1 PC		2304*70*15mm
P	(Box 2)	1 PC		2304*65*30mm

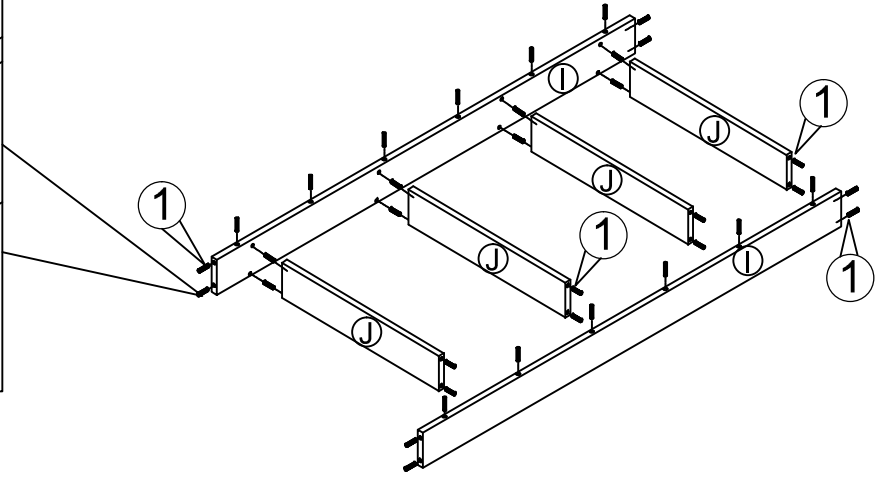
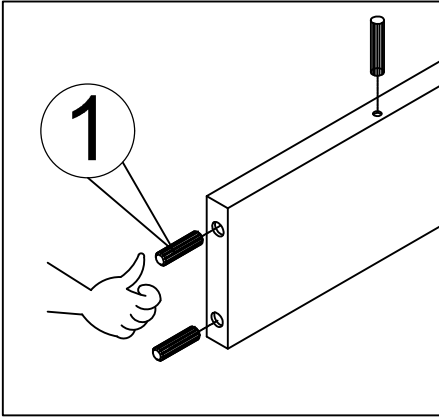
① 76 PCS Ø8 x 30 mm	② 40 PCS Ø10xM7x49 mm	③ 26 PCS Ø15 x 5 mm	④ 16 PCS 4 x 18mm	⑤ 8 PCS 4 x 22mm	⑥ 72 PCS 3.5 x 14 mm	⑦ 40 PCS Ø9 x Ø3 x 14 mm
⑧ 94 PCS Ø3 x M1.5 x18mm	⑨ 8 PCS 40*20*13mm	⑩ 2PC 514x 15 x 28 mm	⑪ 2PCS 600x 15 x 28 mm	⑫ 16 PCS 29x 18 x 18 mm	⑬ 1 PC Ø4 x 60 x 20mm	⑭ 3 PCS 20 x 40 x 1.2mm
⑮ 3 PCS Ø9 x Ø6 x 25mm	⑯ 3 PCS Ø9 x Ø4 x 15mm	⑰ 3 PCS Ø9 x Ø4 x25mm				

Please note - All Hardwares in box 2.




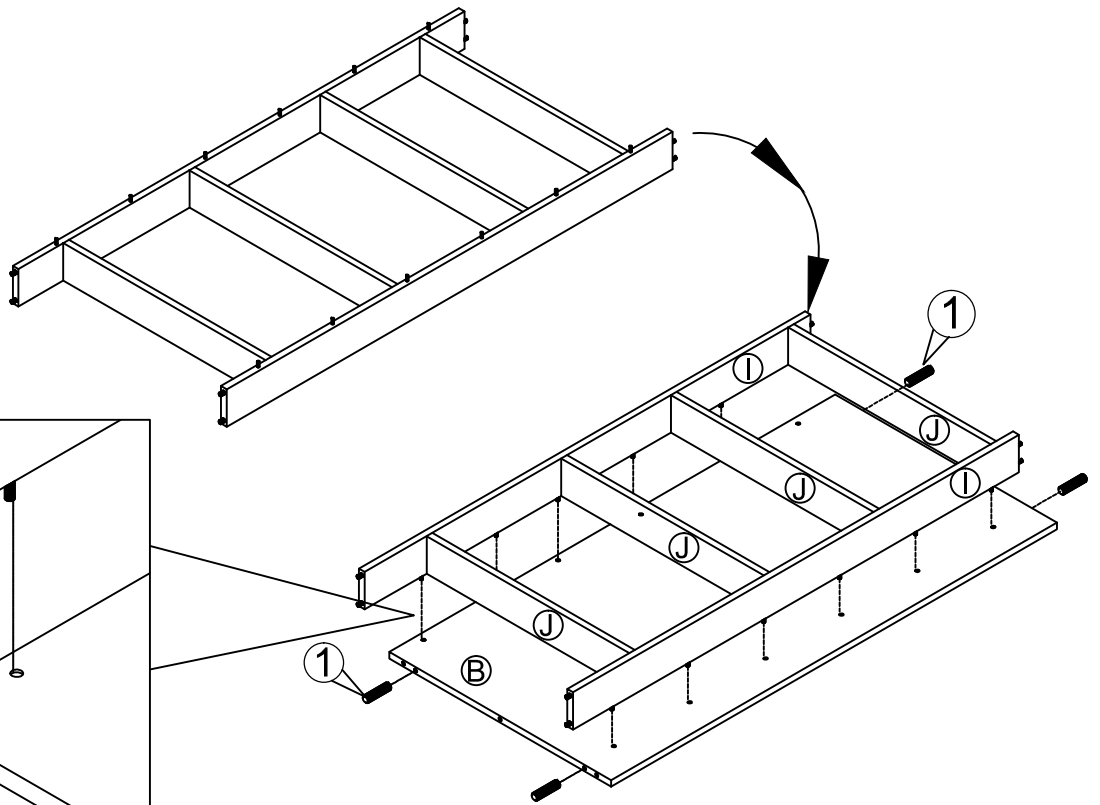
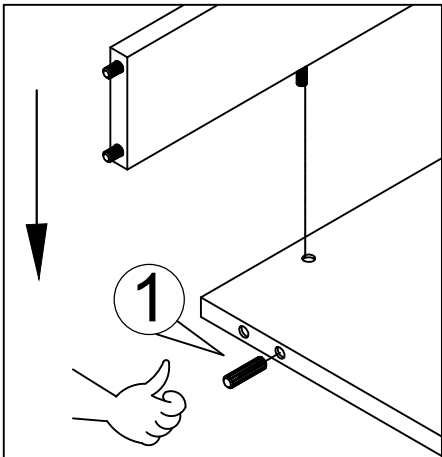
1

 ① x 36





2

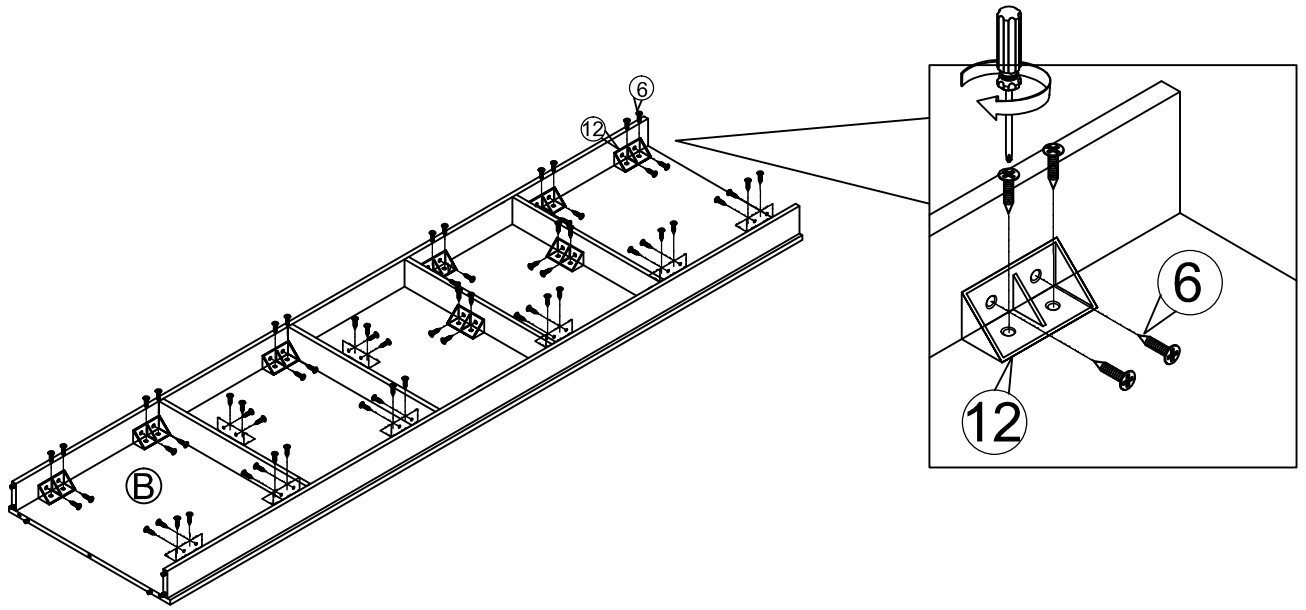
 ① x 4




3

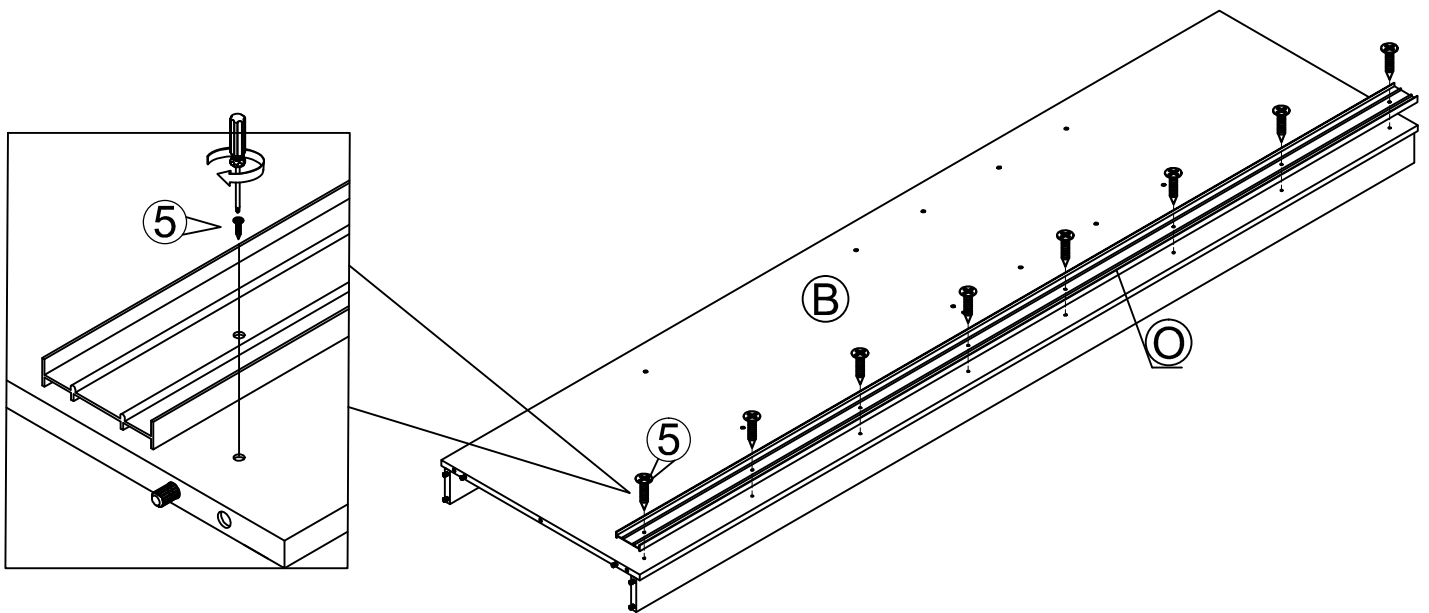

⑥ x 64


⑫ x 16



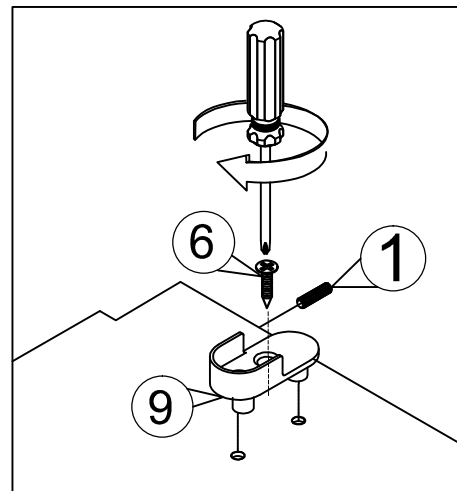
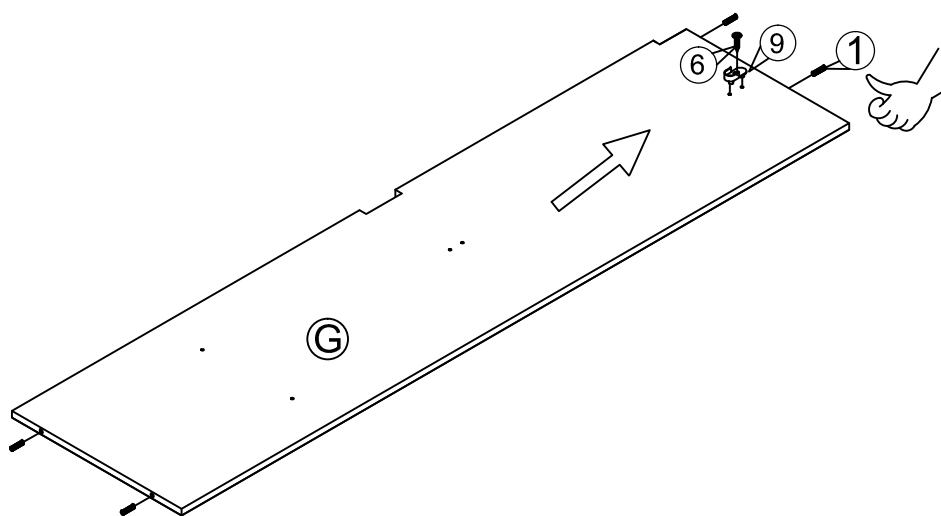
4


⑤ x 8



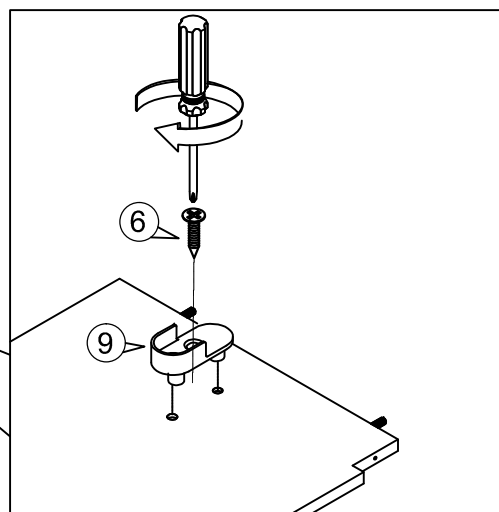
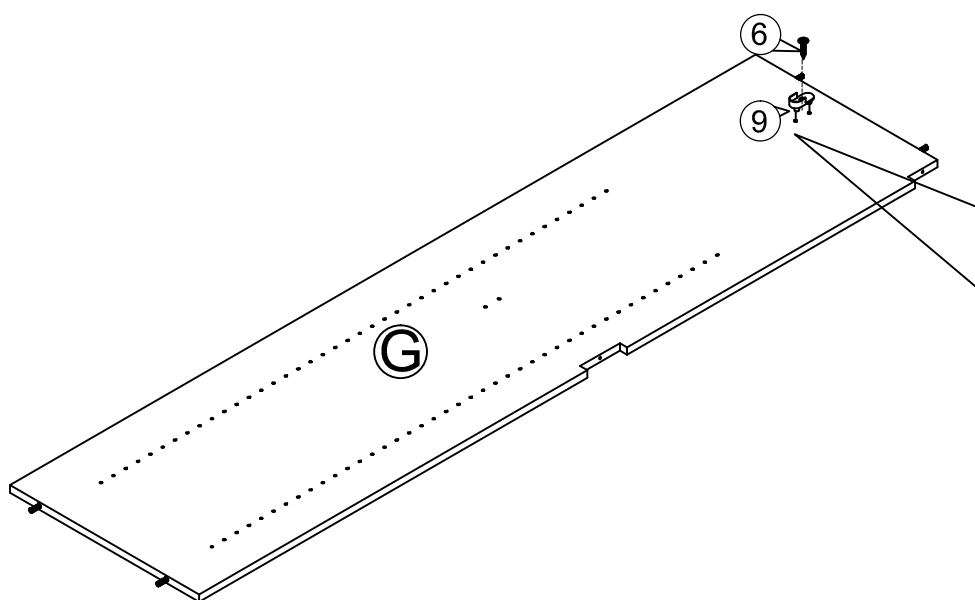
5

- ① x4
- ⑥ x1
- ⑨ x1



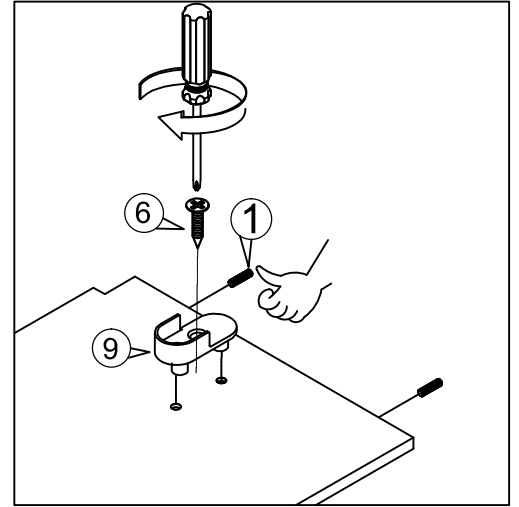
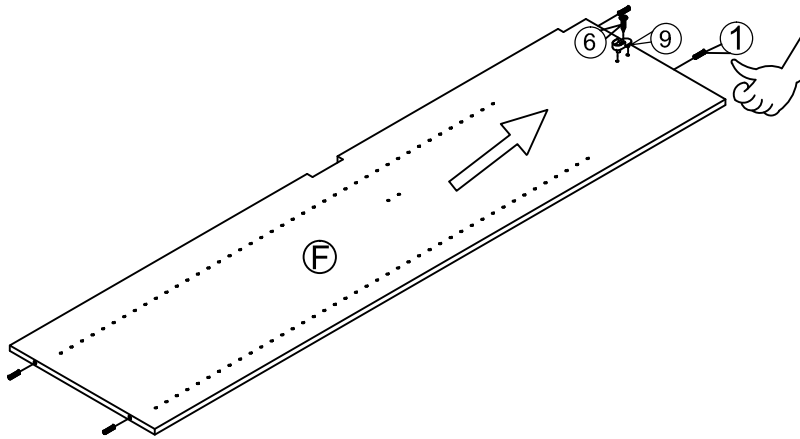
6

- ⑥ x1
- ⑨ x1



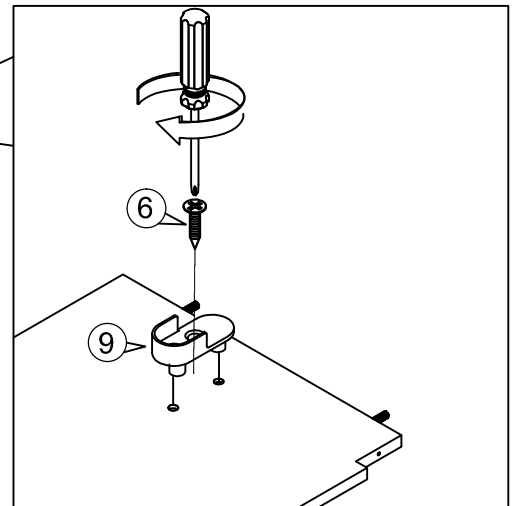
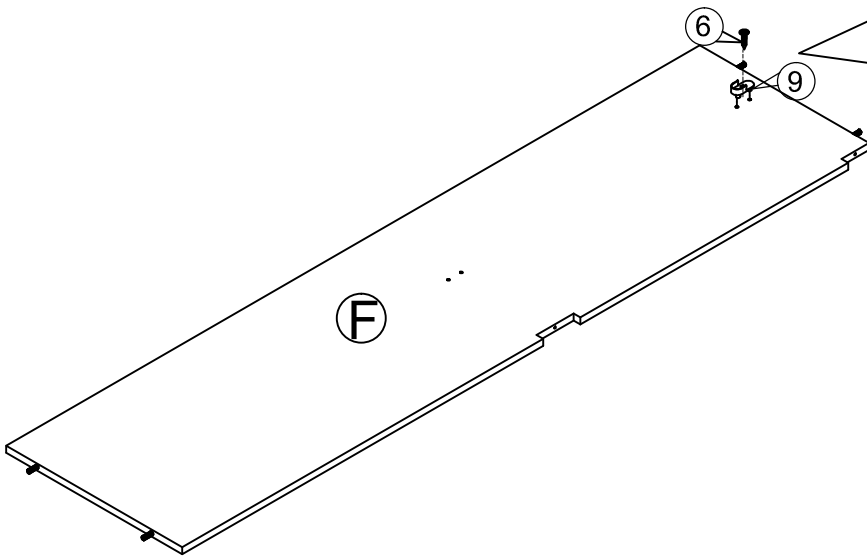
7

- ① x4
- ⑥ x1
- ⑨ x1



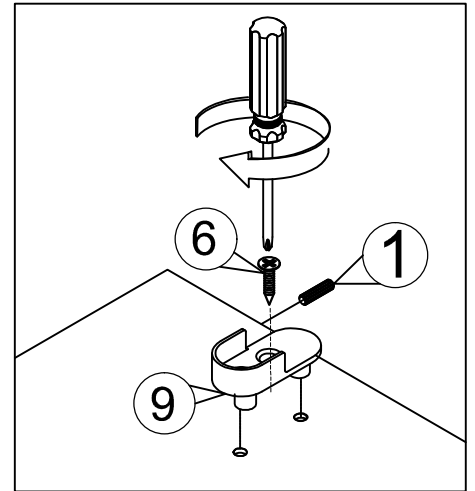
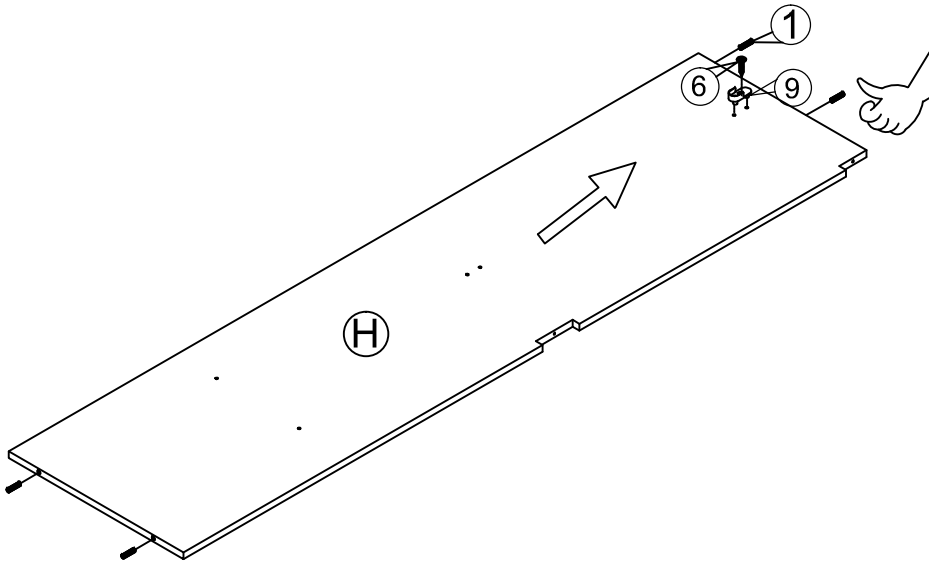
8

- ⑥ x1
- ⑨ x1



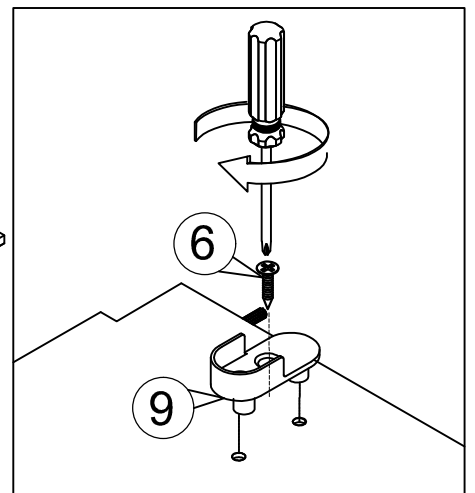
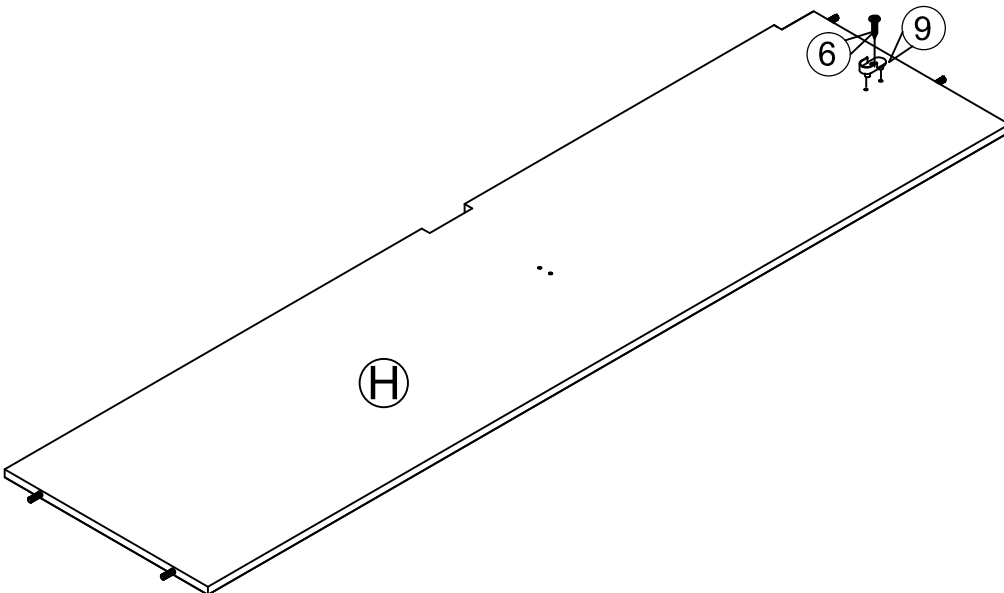
9

- ① x4
- ⑥ x1
- ⑨ x1



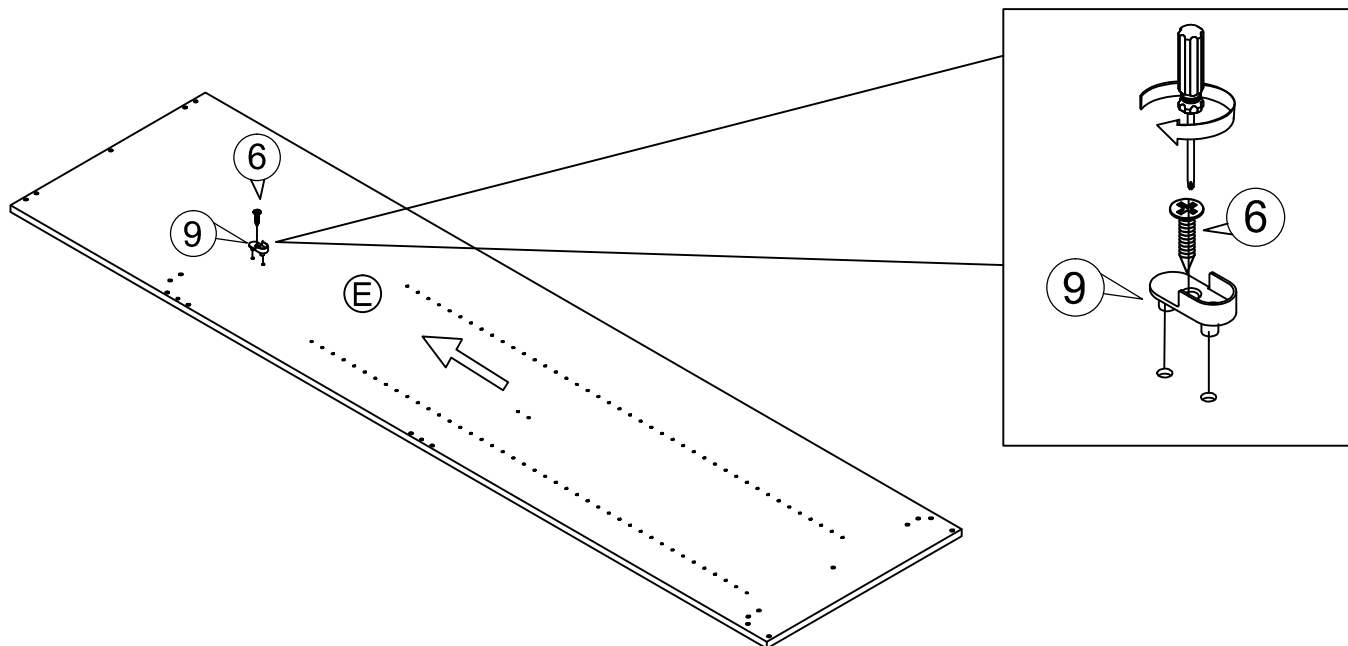
10

- ⑥ x1
- ⑨ x1

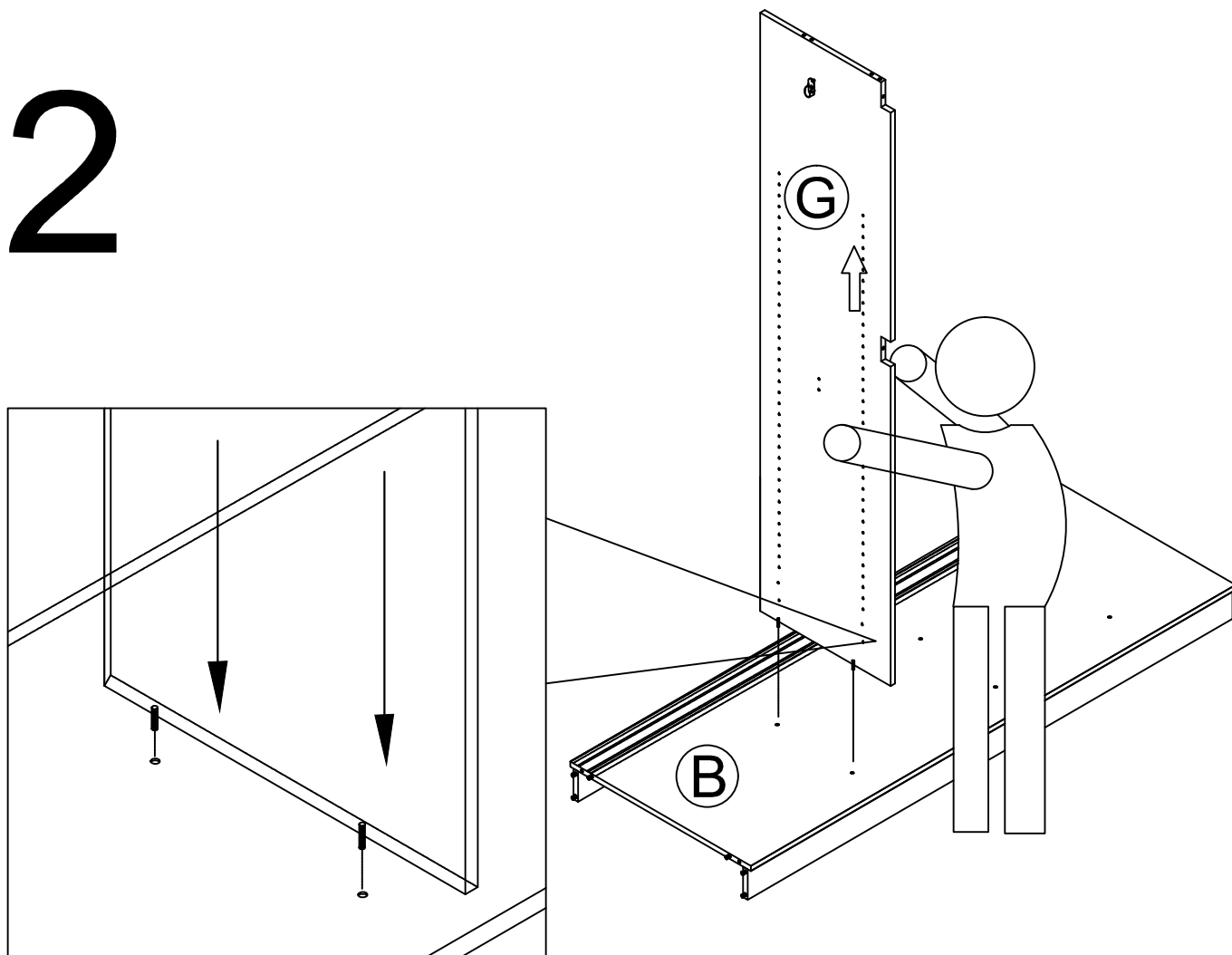


11

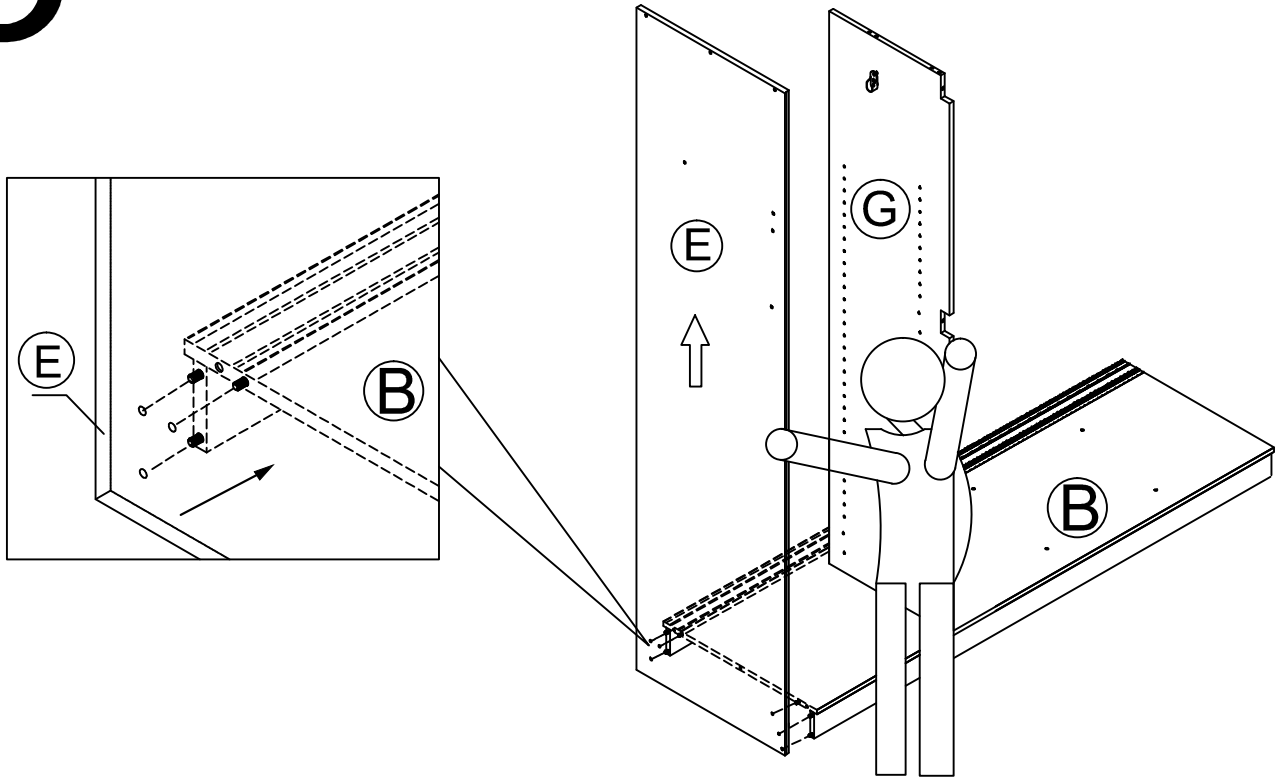
⑥ x1 ⑨ x1



12

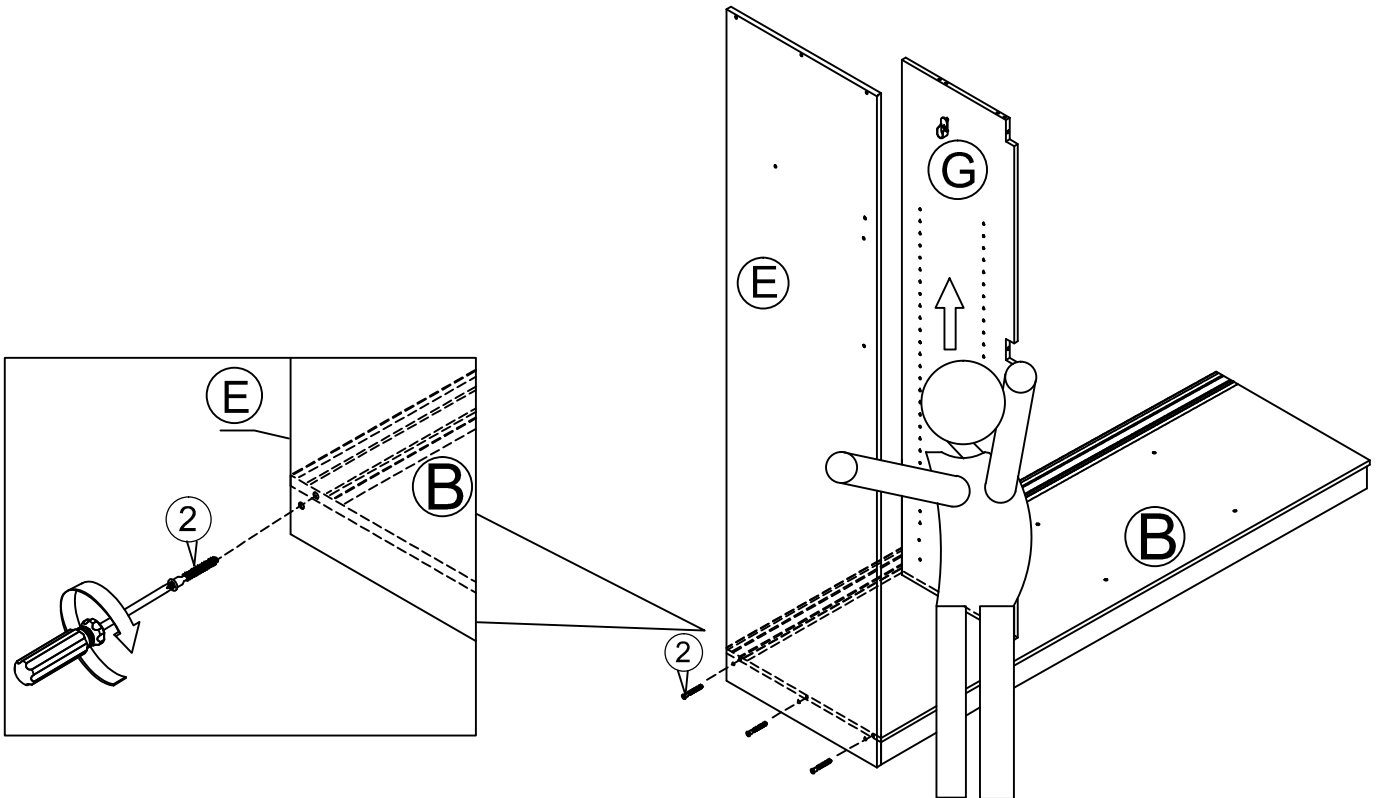


13




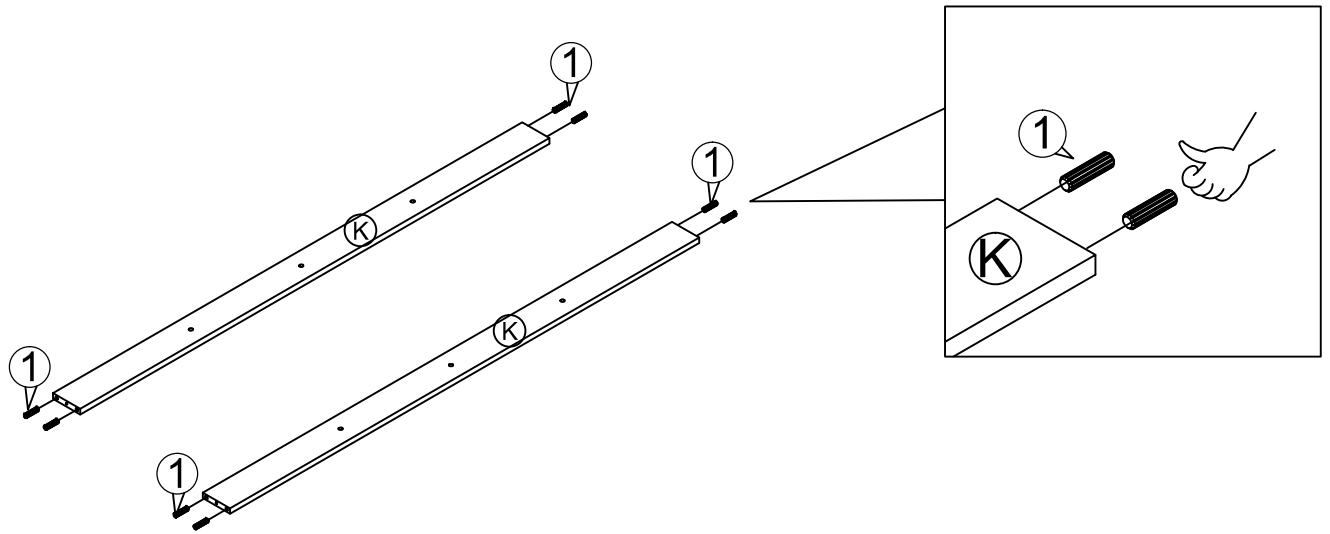
14

② x 3




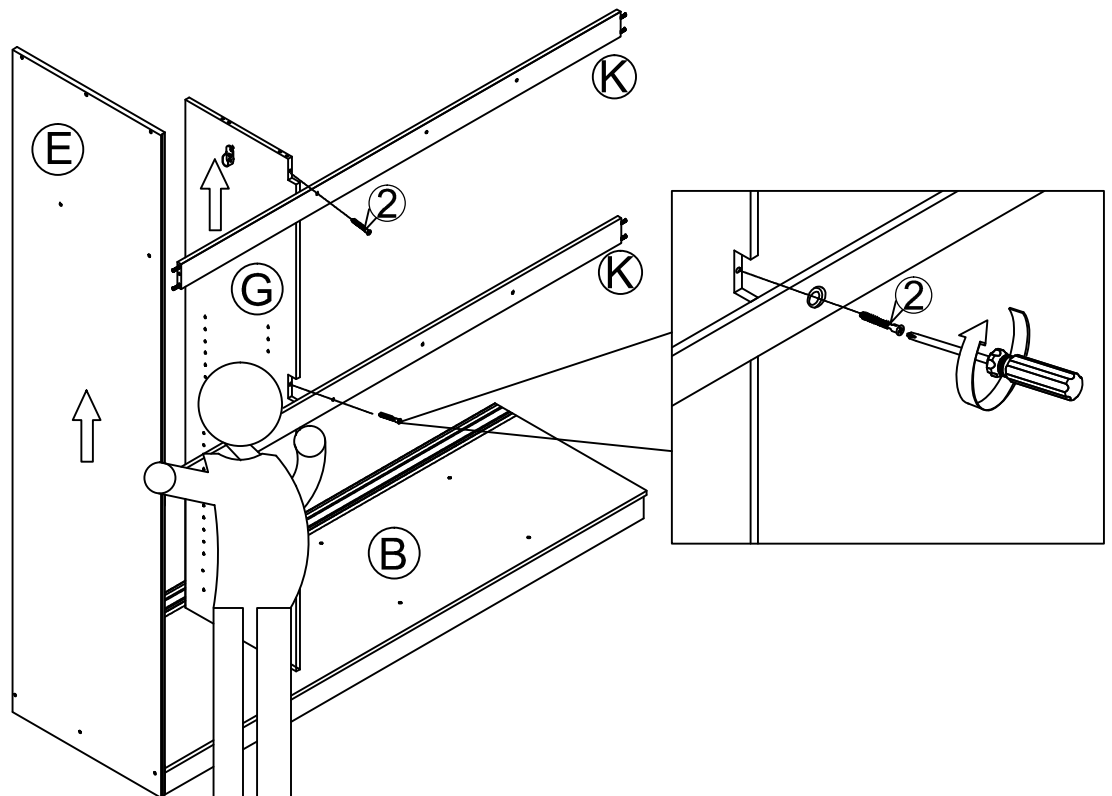
15


① x 8

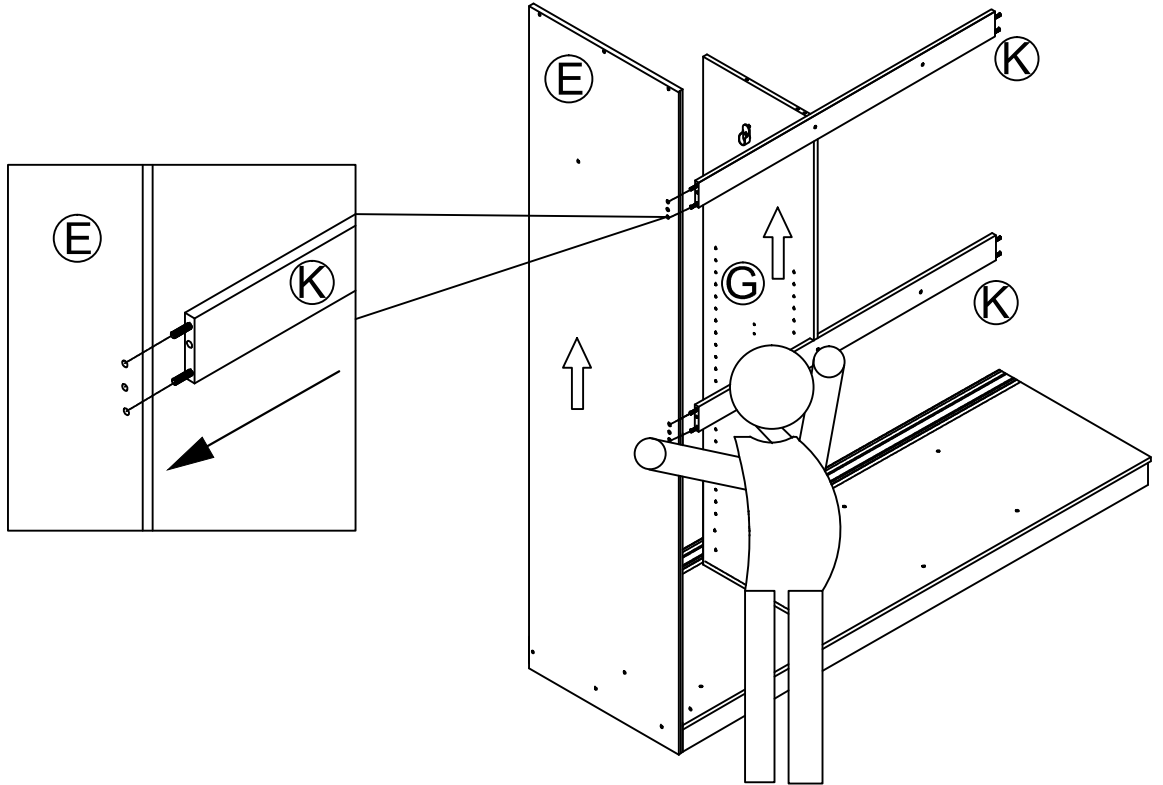


16

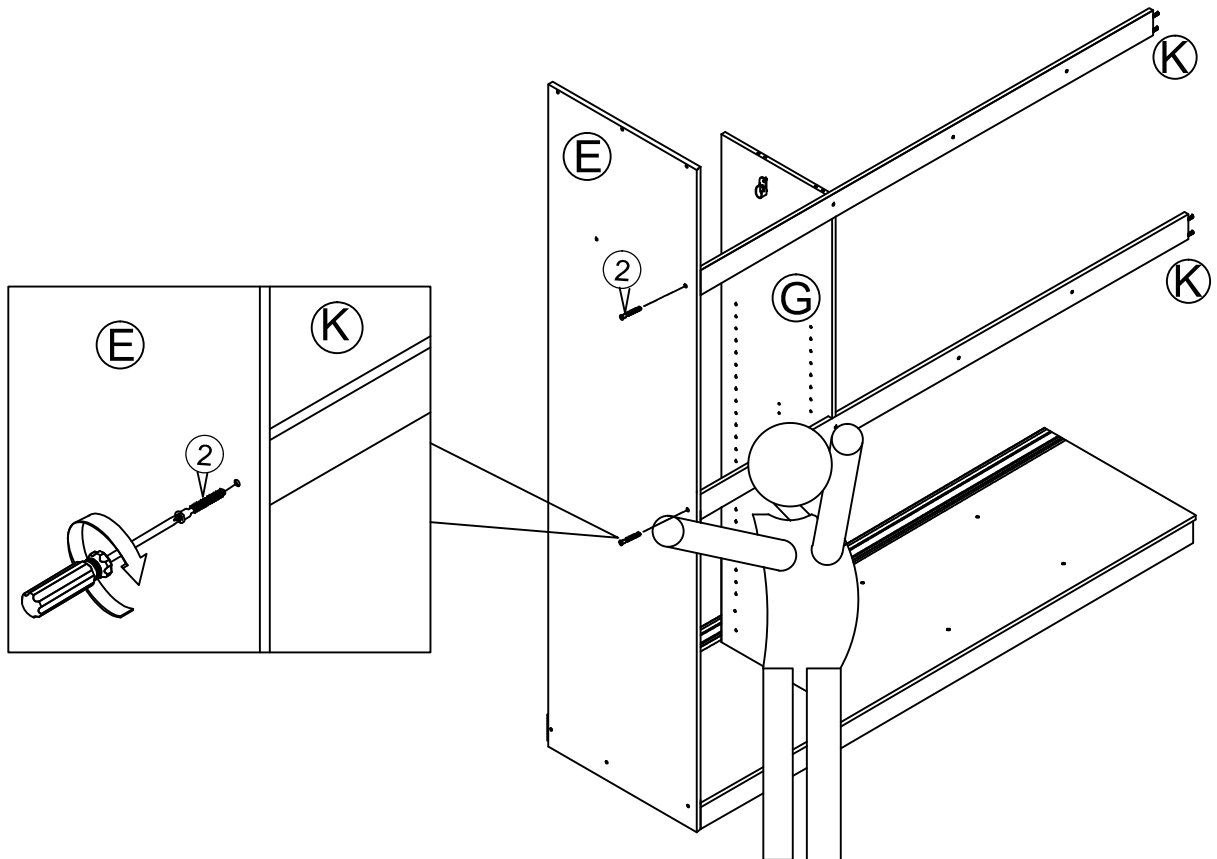
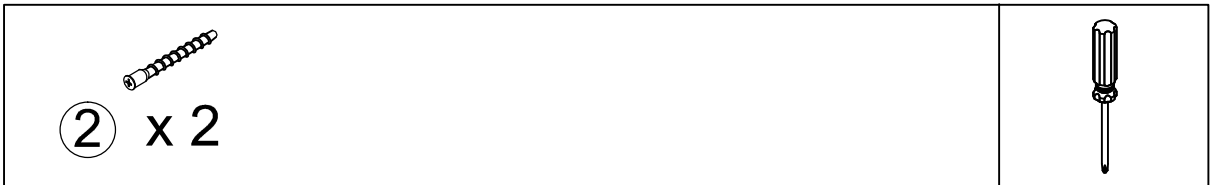

② x 2



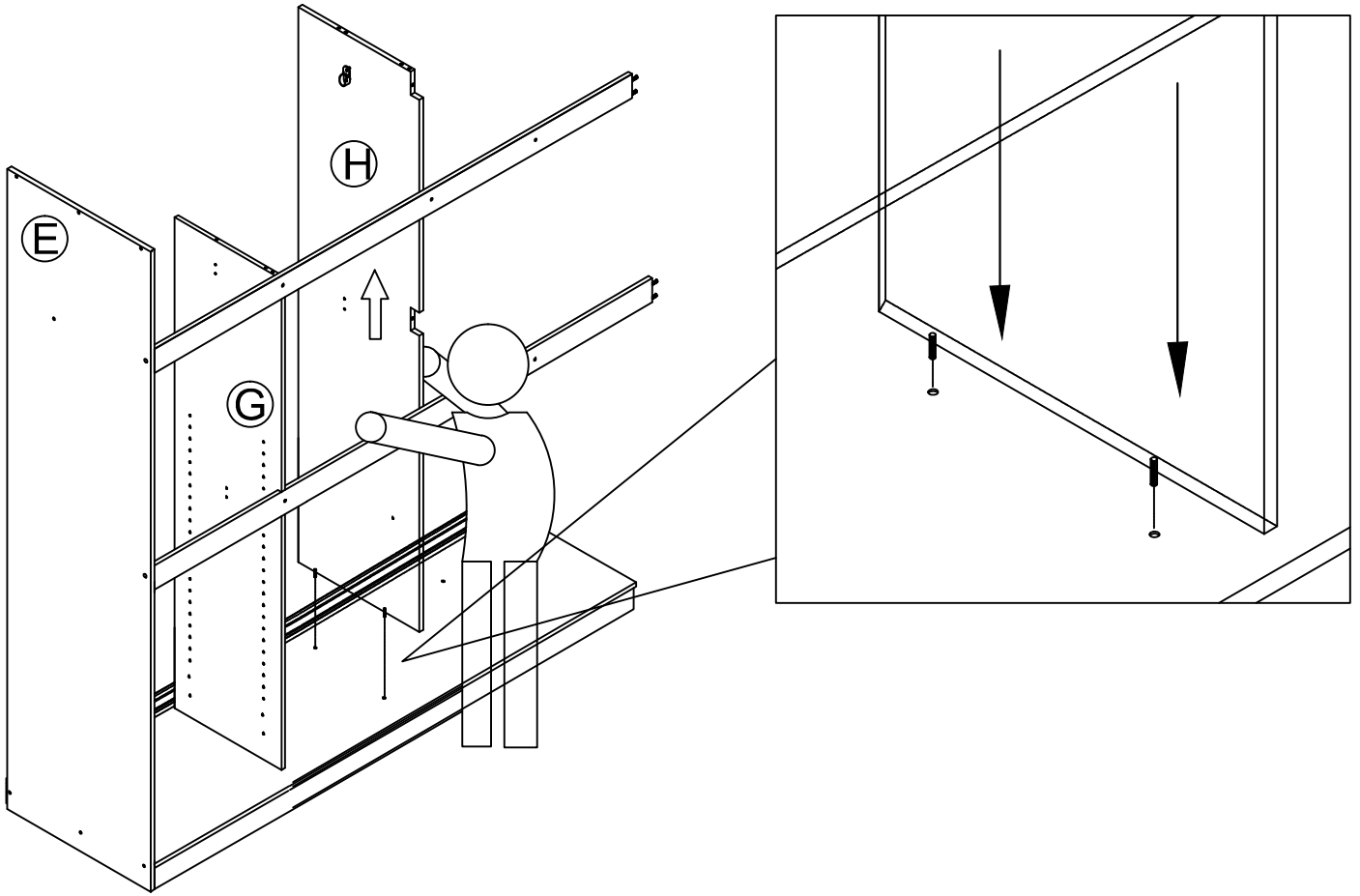
17



18

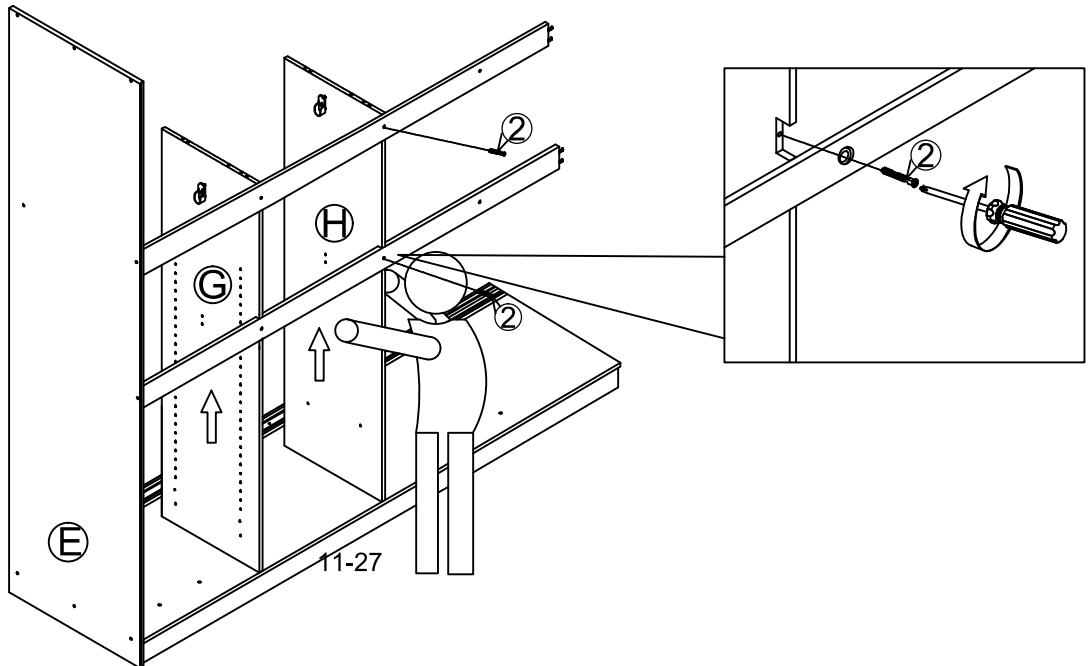


19

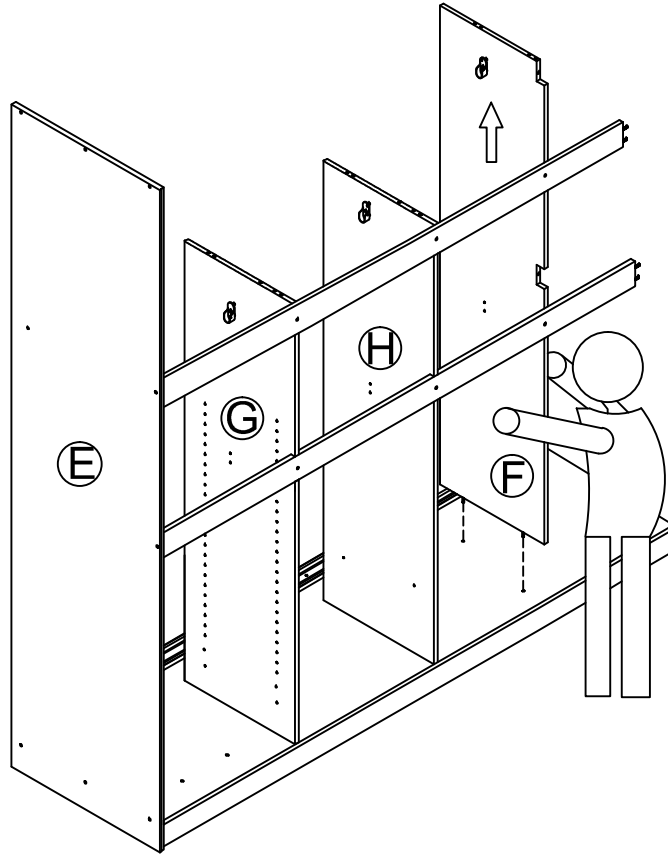


20


② x 2

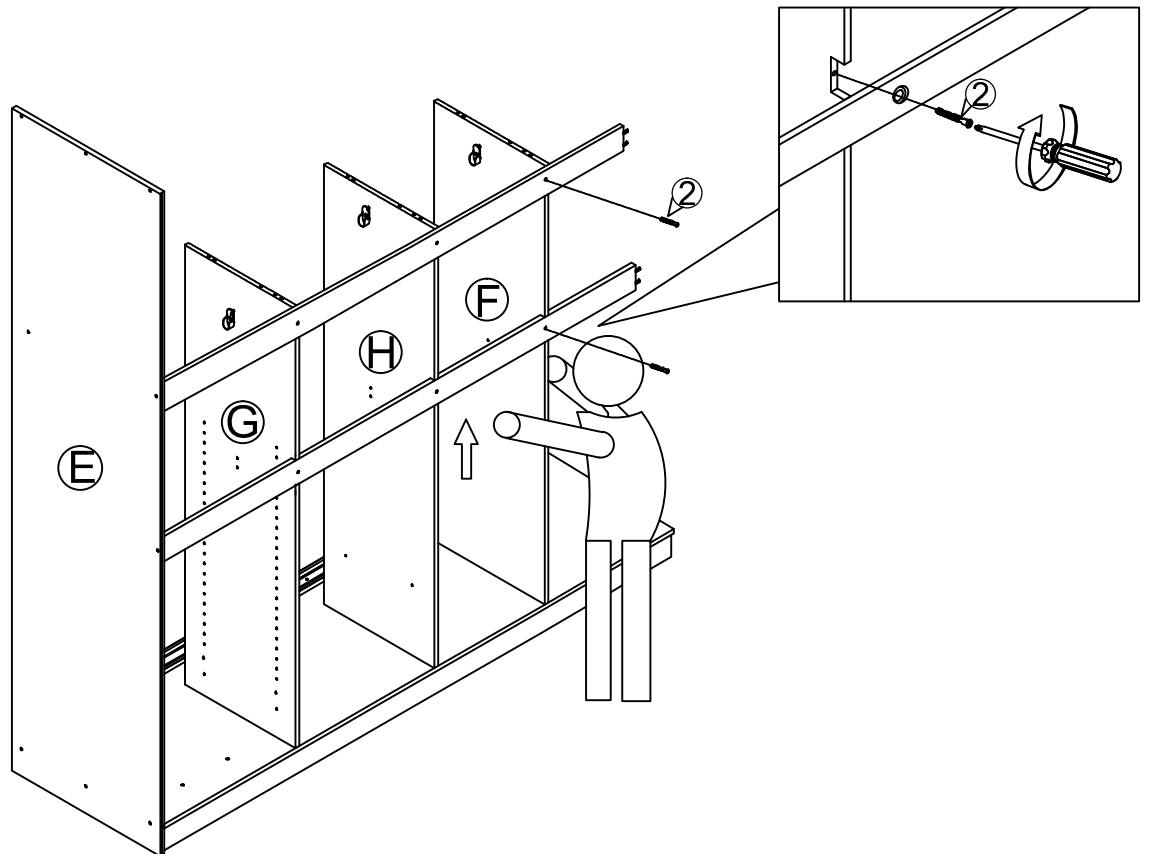


21

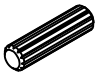


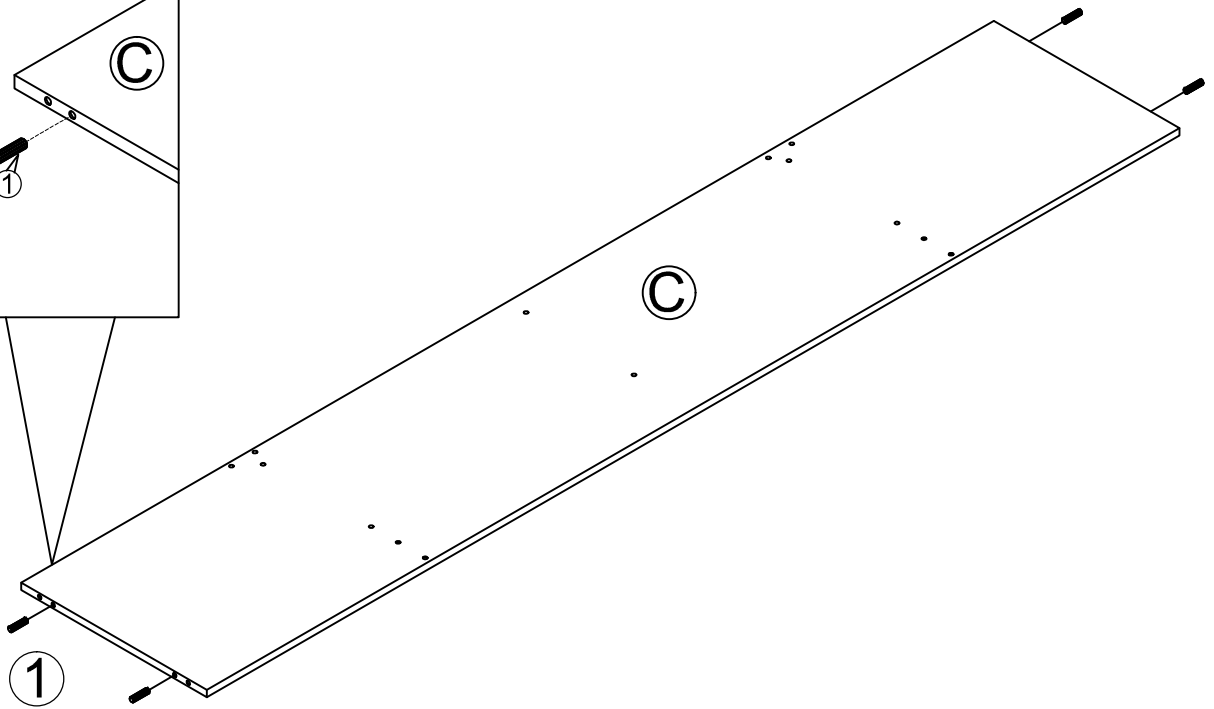
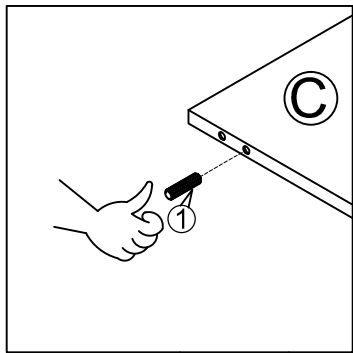
22


② x 2

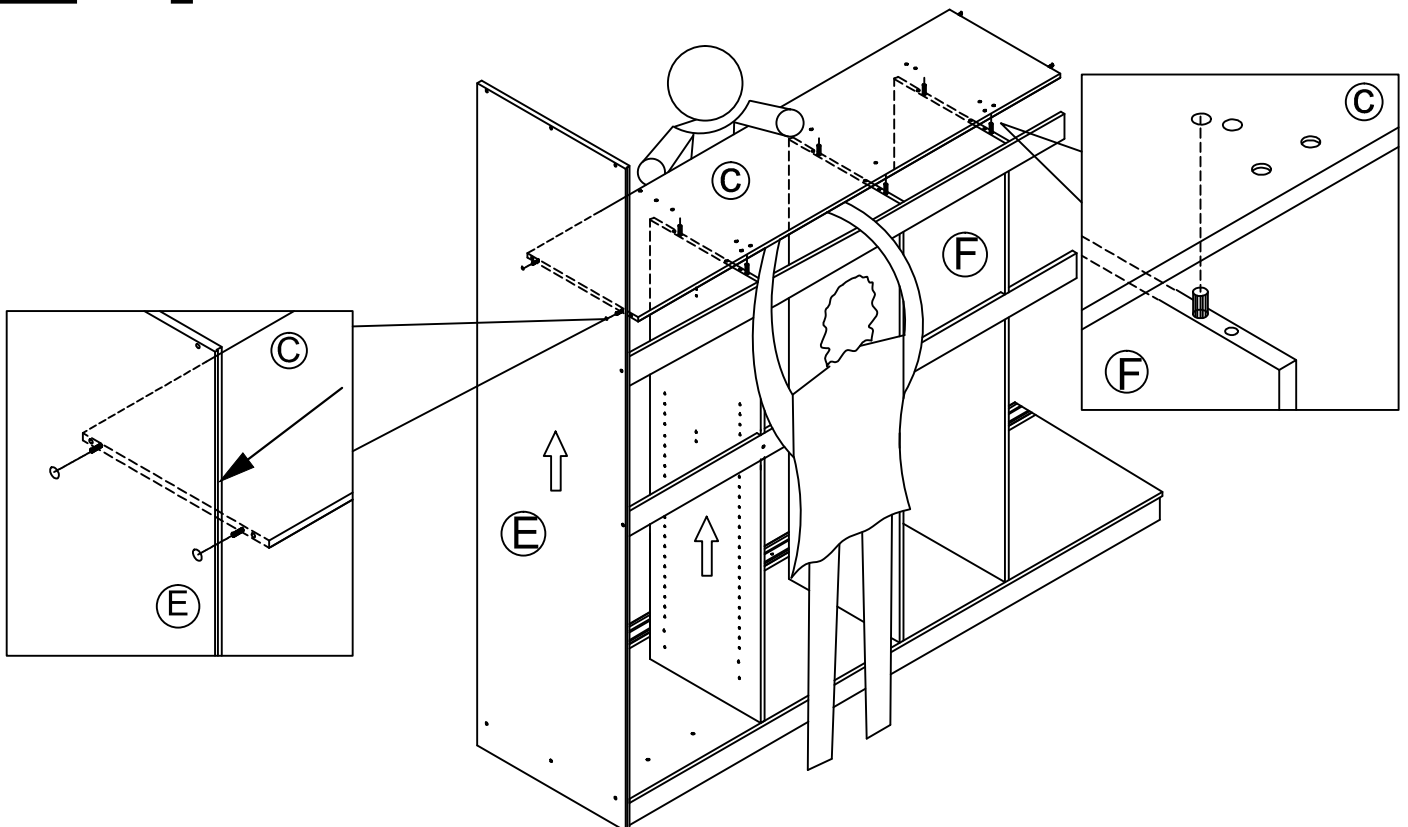


23


 ① x 4

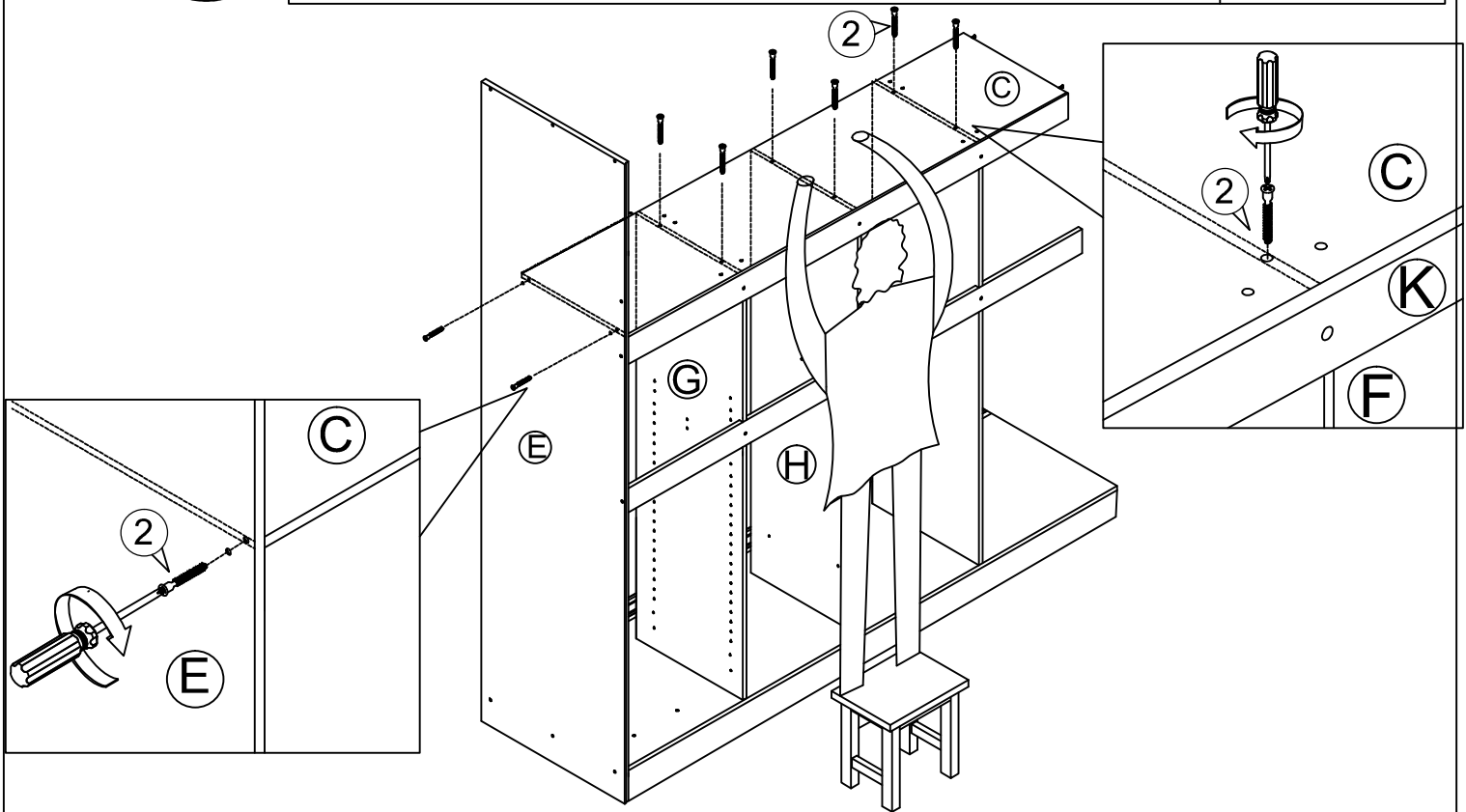


24




25

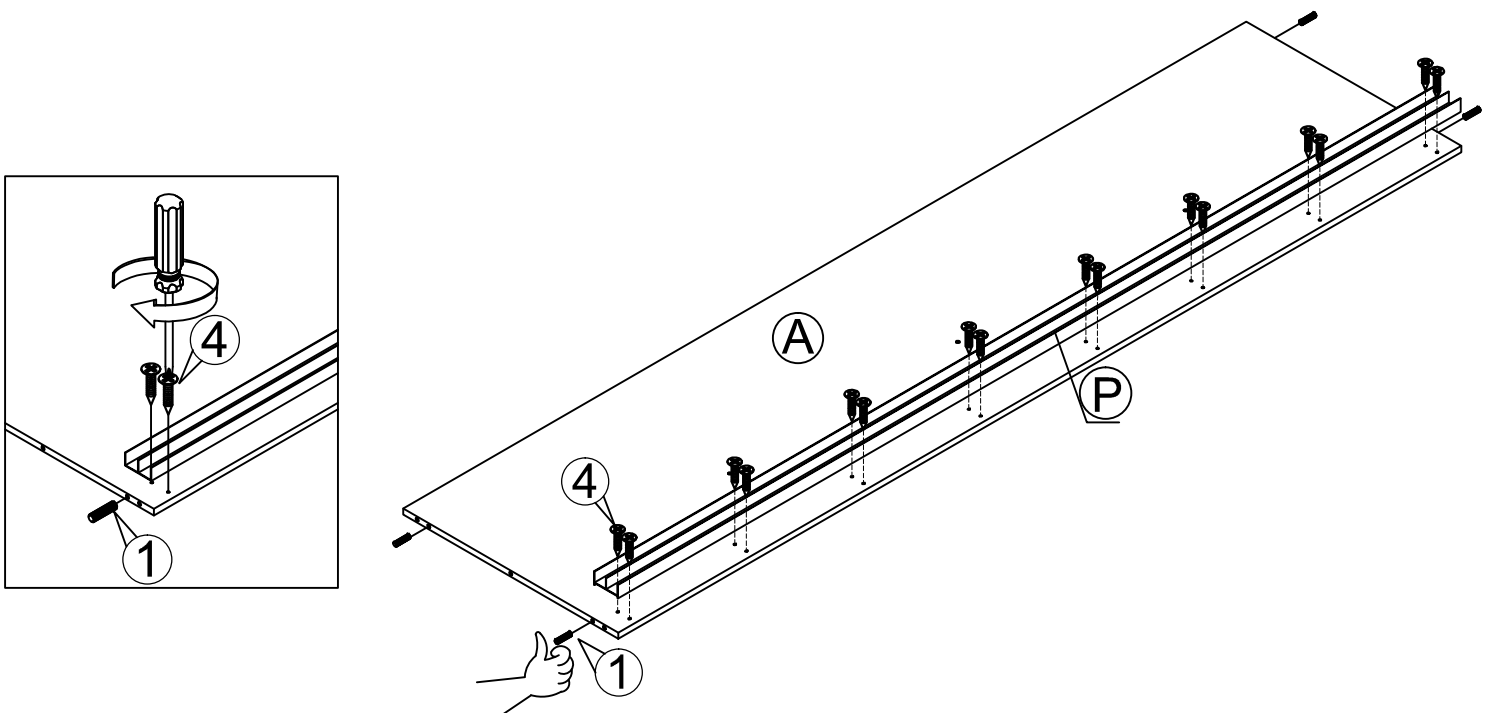

② x 8




26

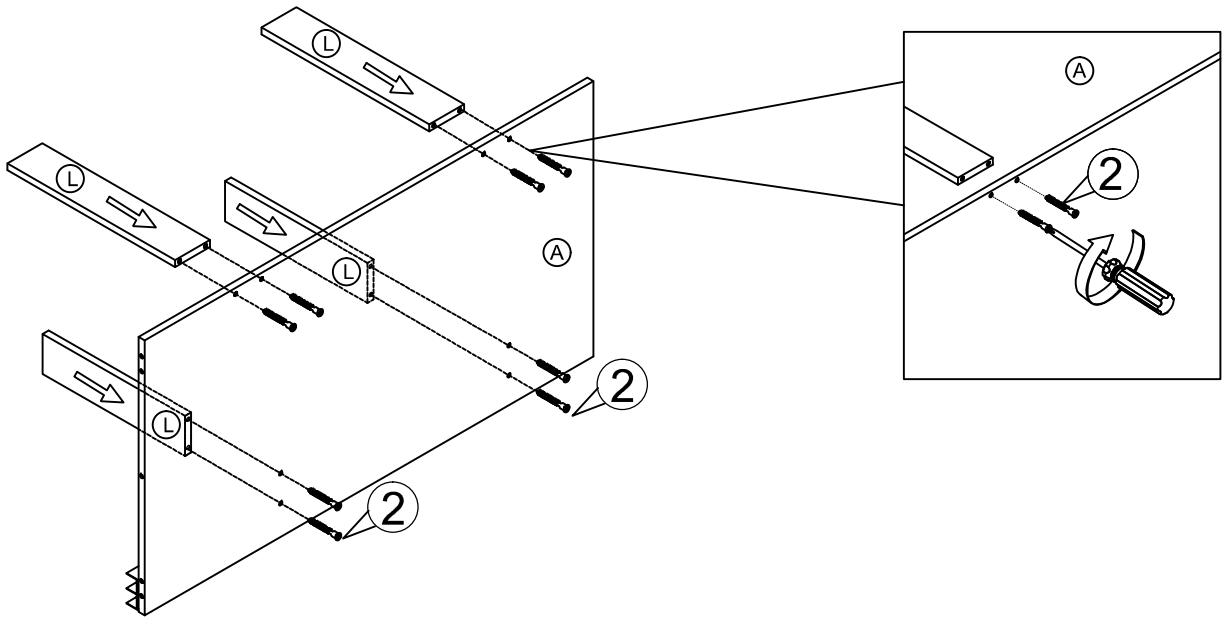

① x 4


④ x 16




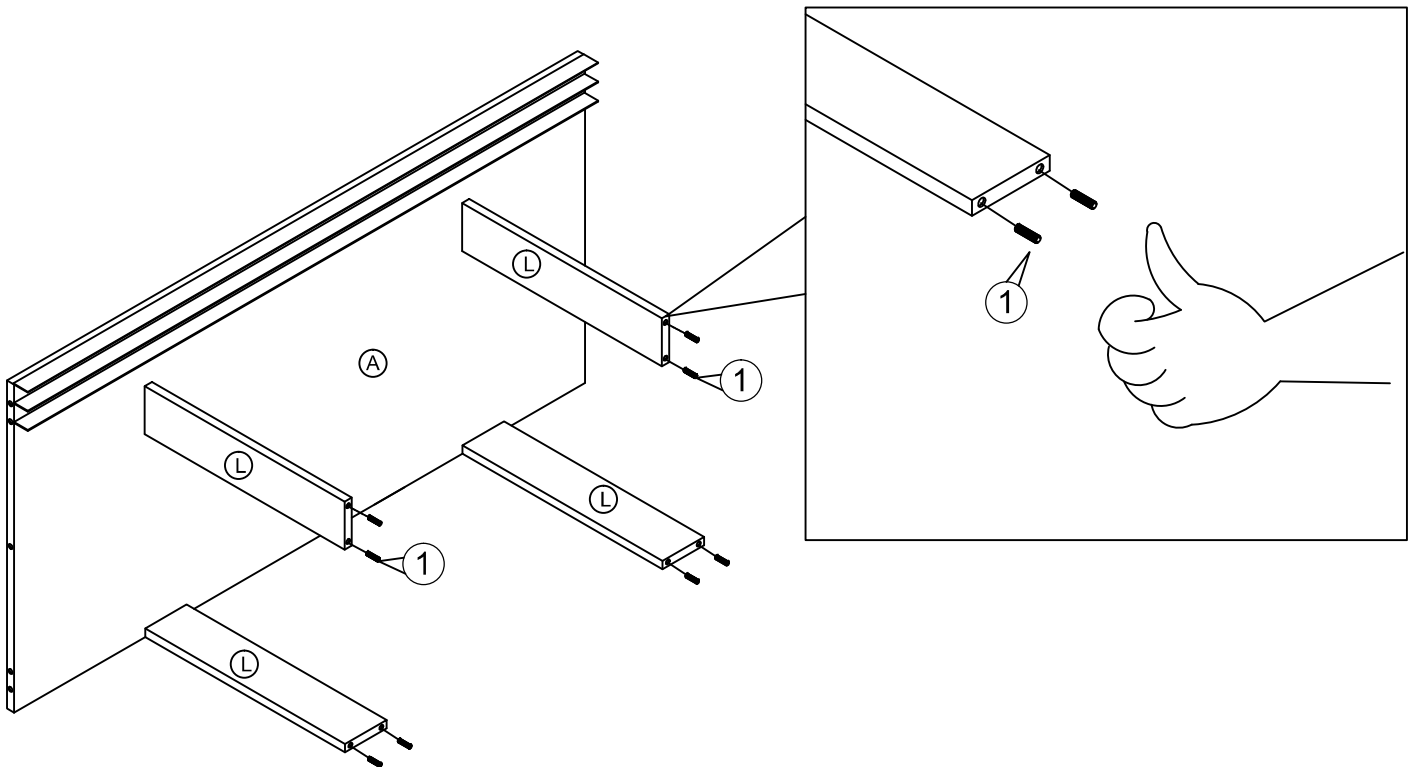
27


② x 8

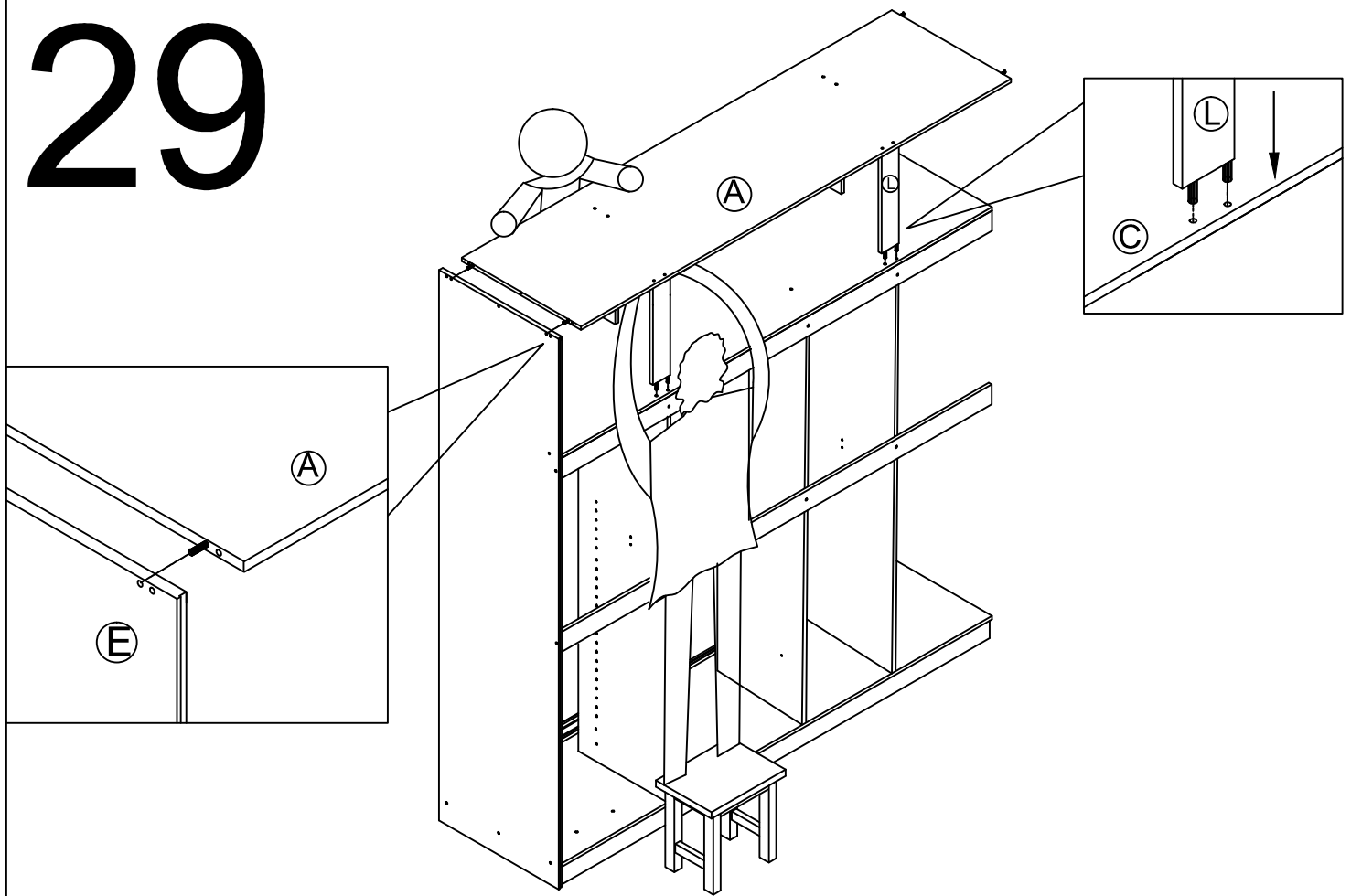


28



① x 8

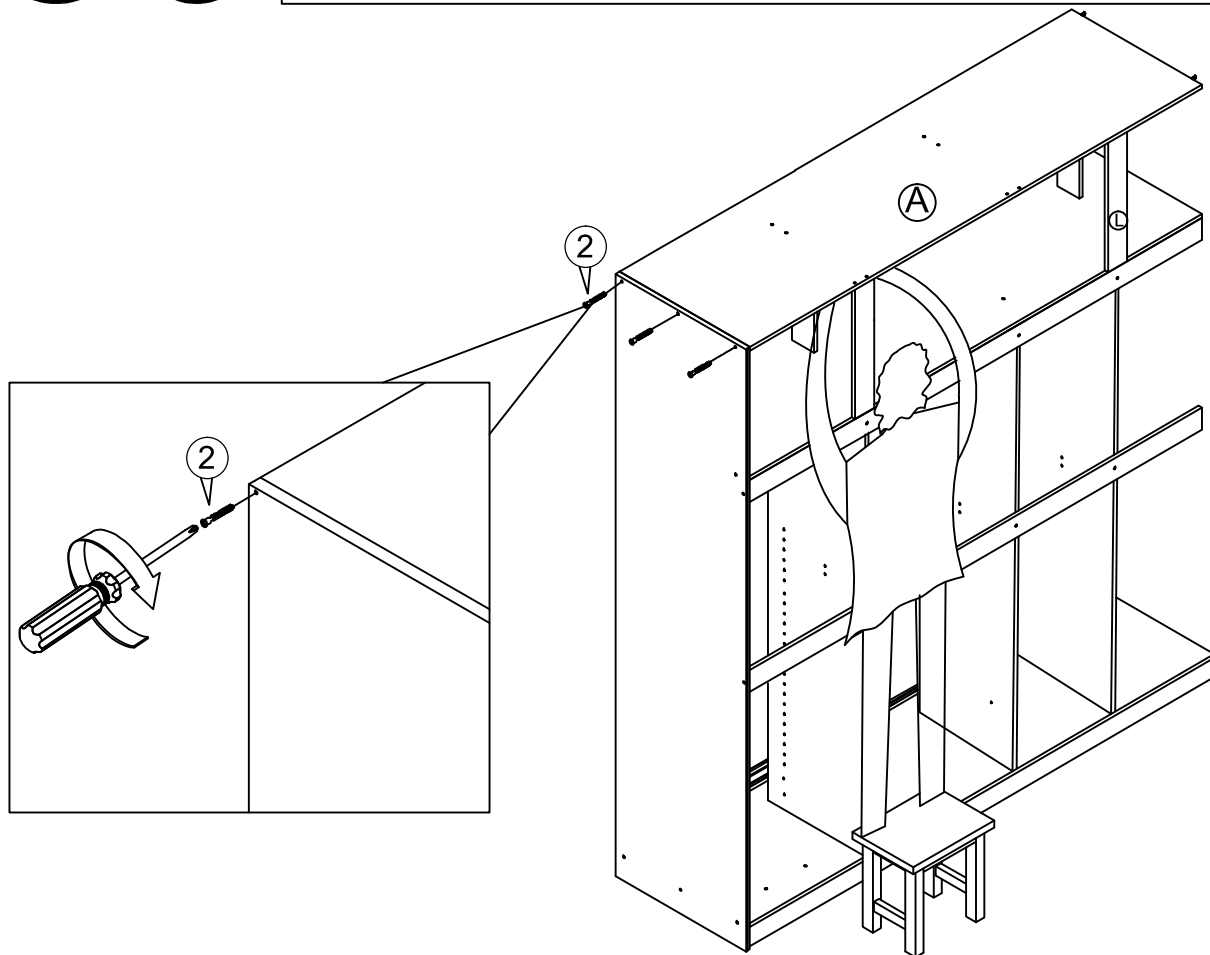


29



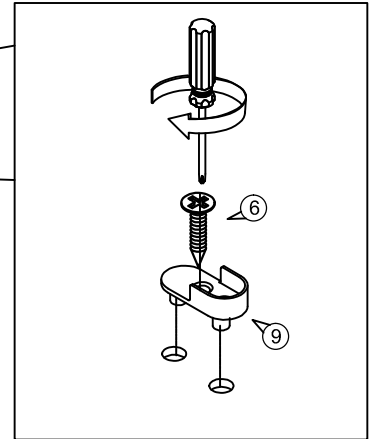
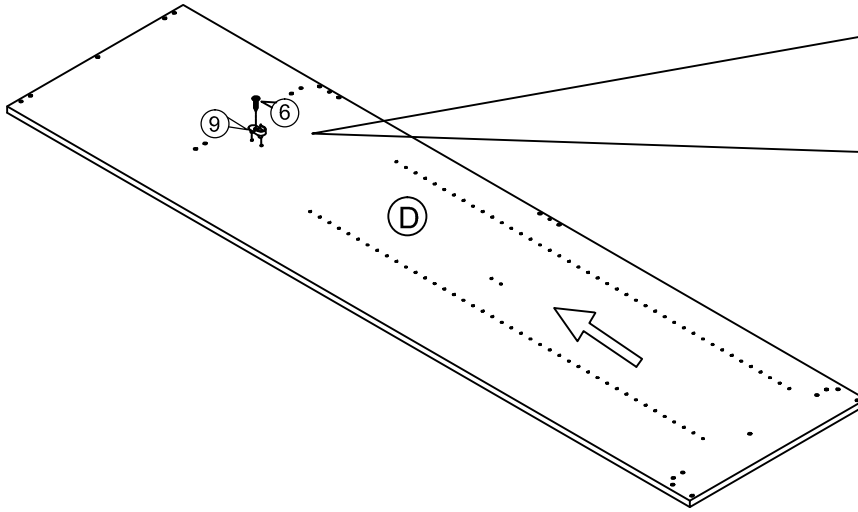
30


② x 3

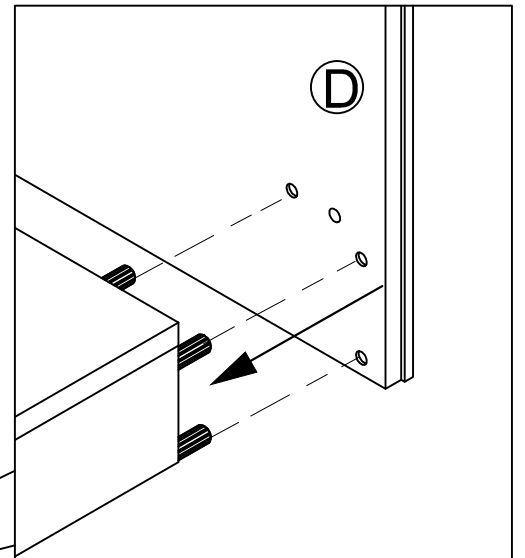
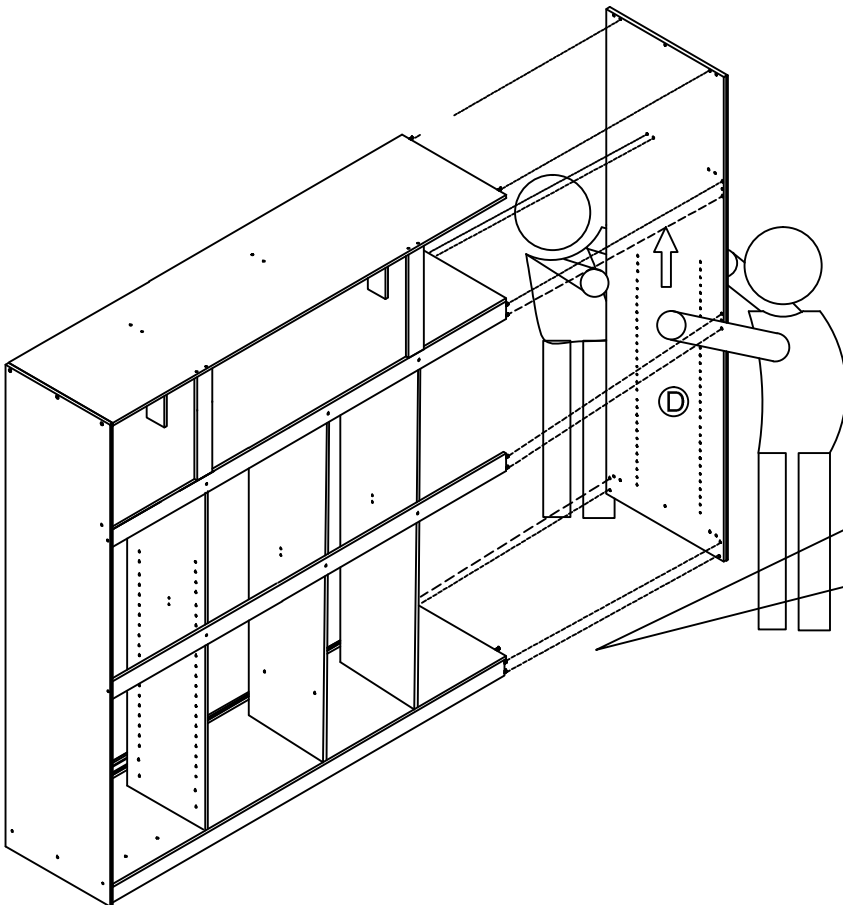


31


⑥ x1 ⑨ x1

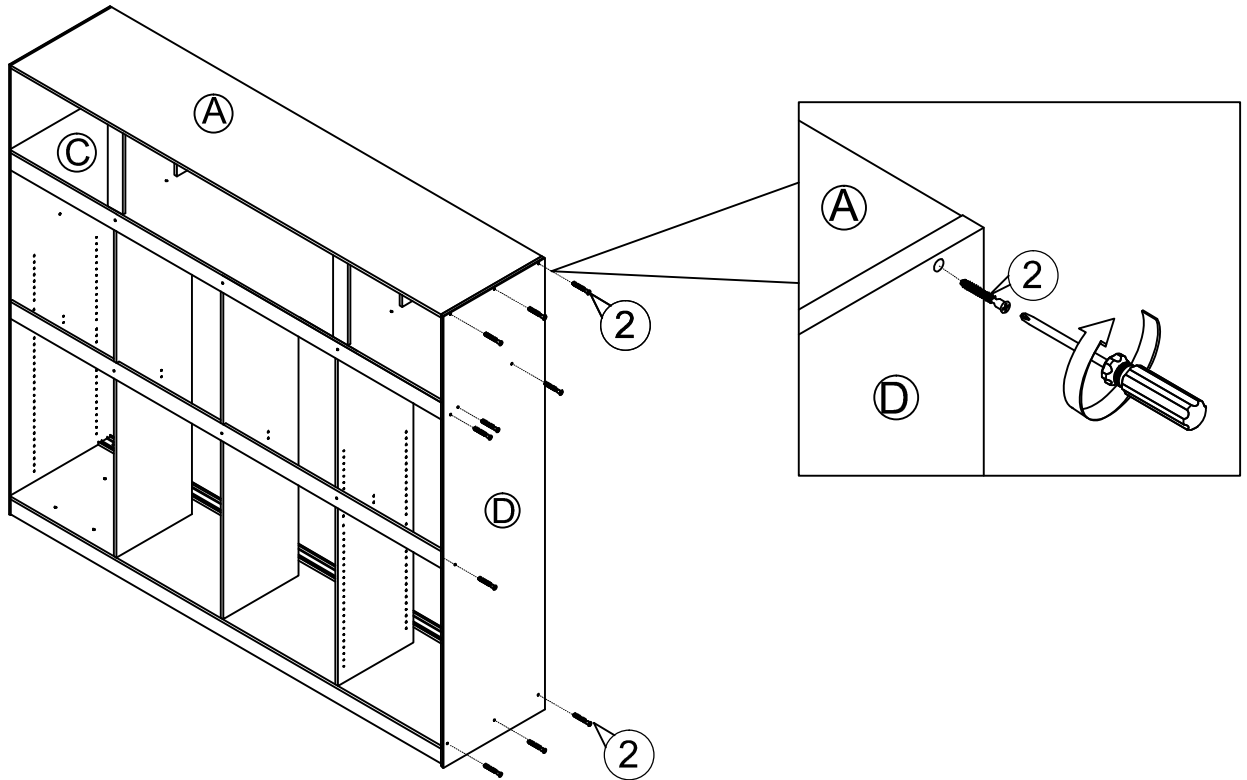


32




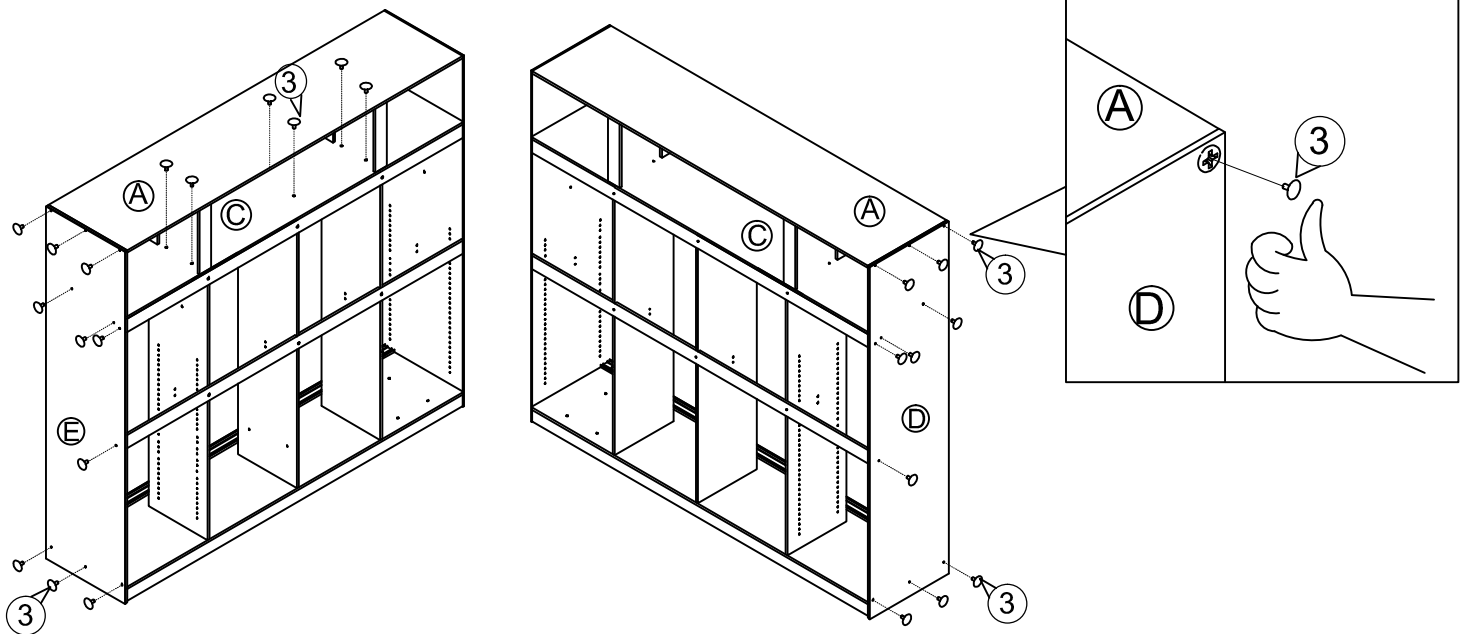
33


② x10

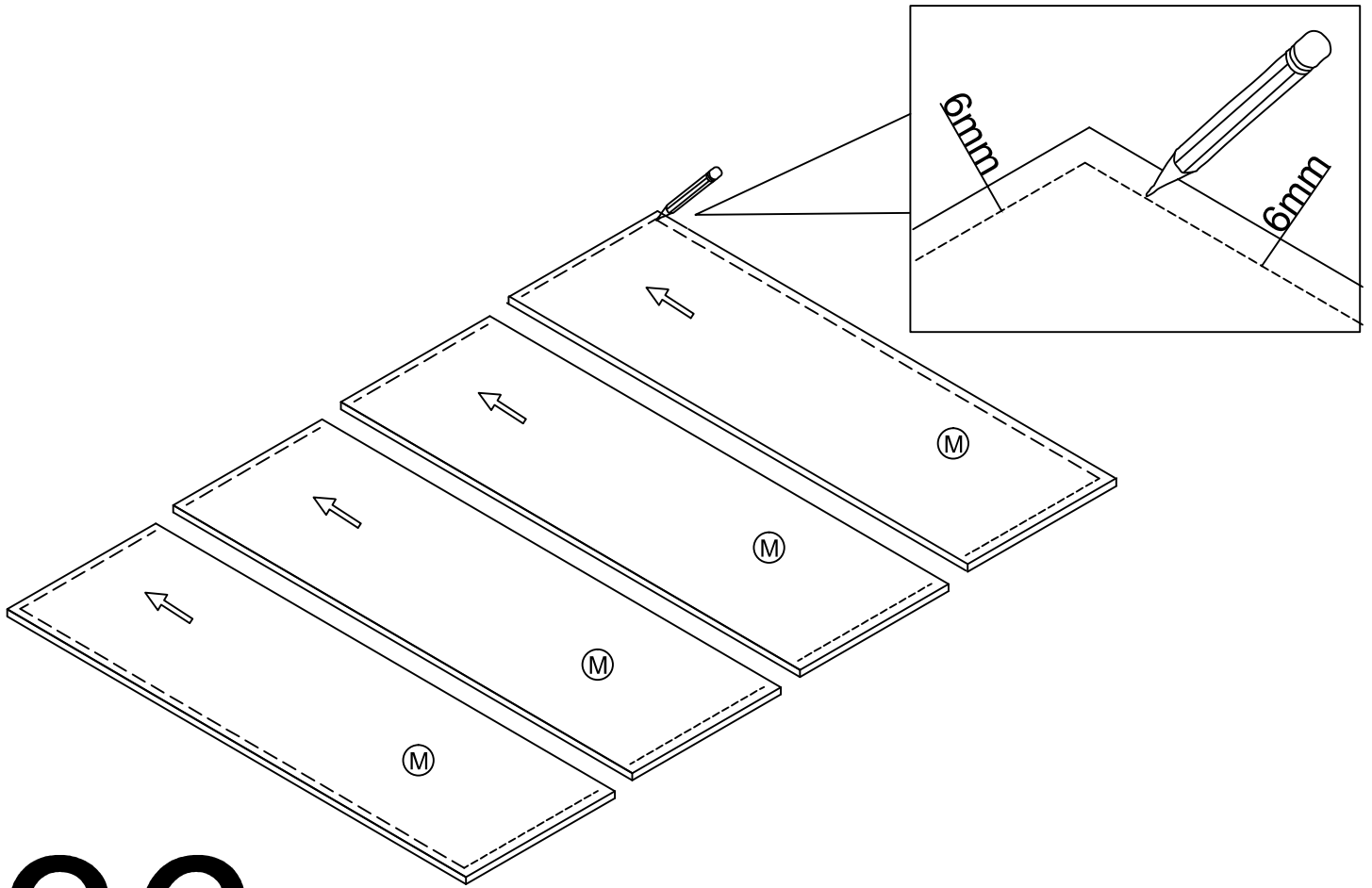
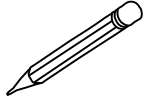


34

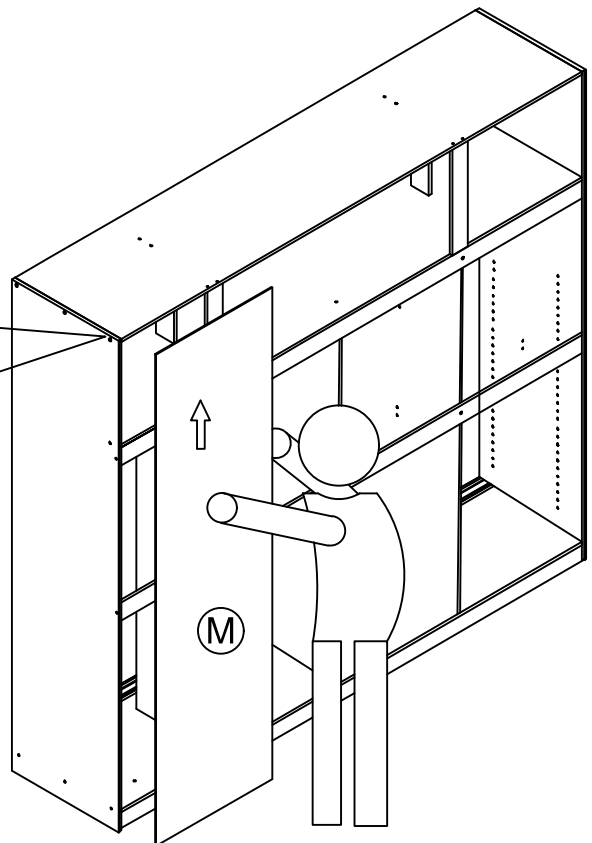
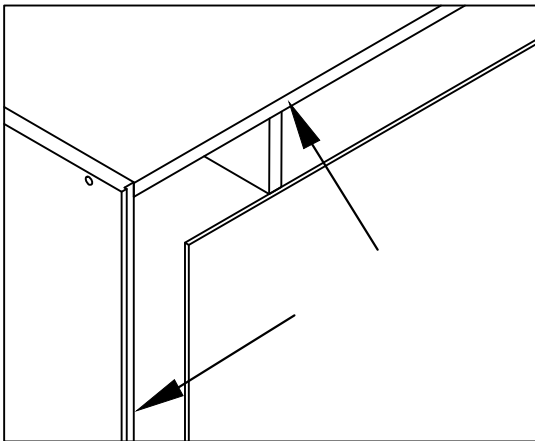

③ x 26




35

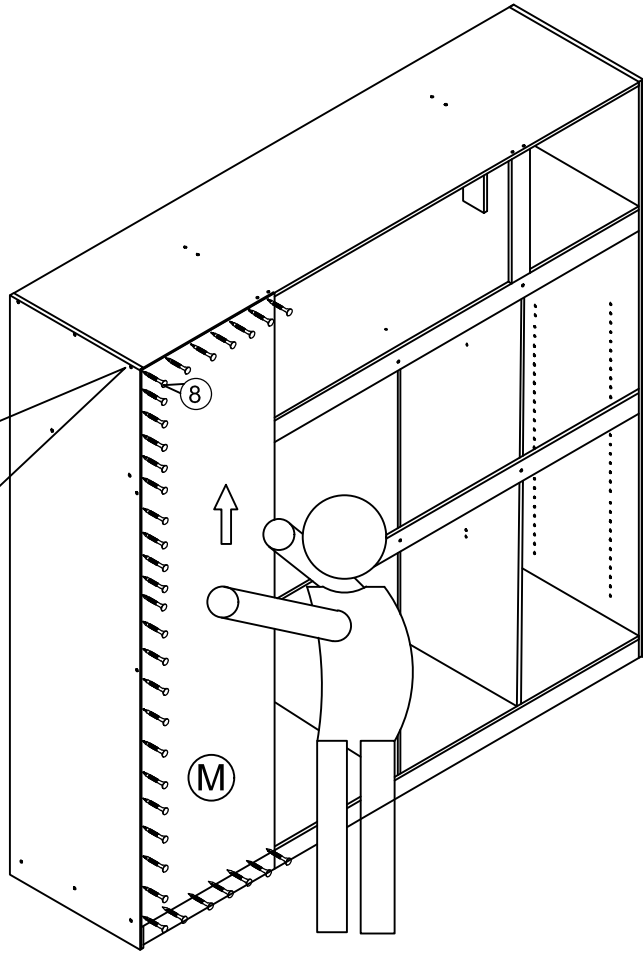
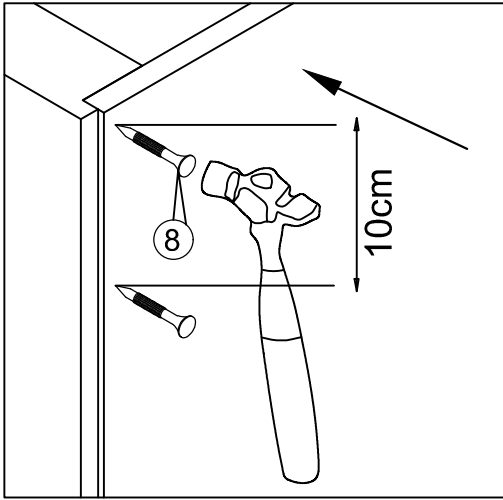


36

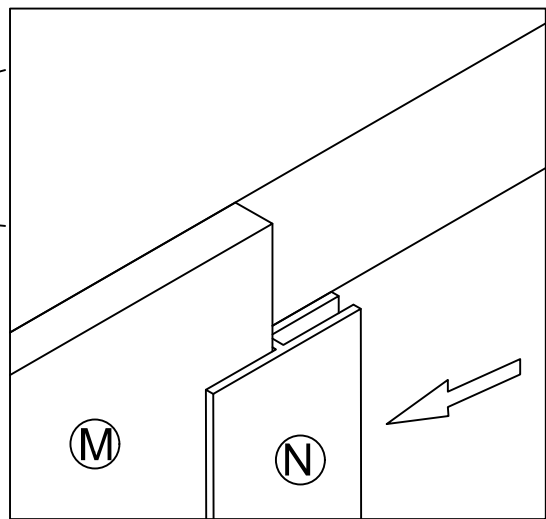
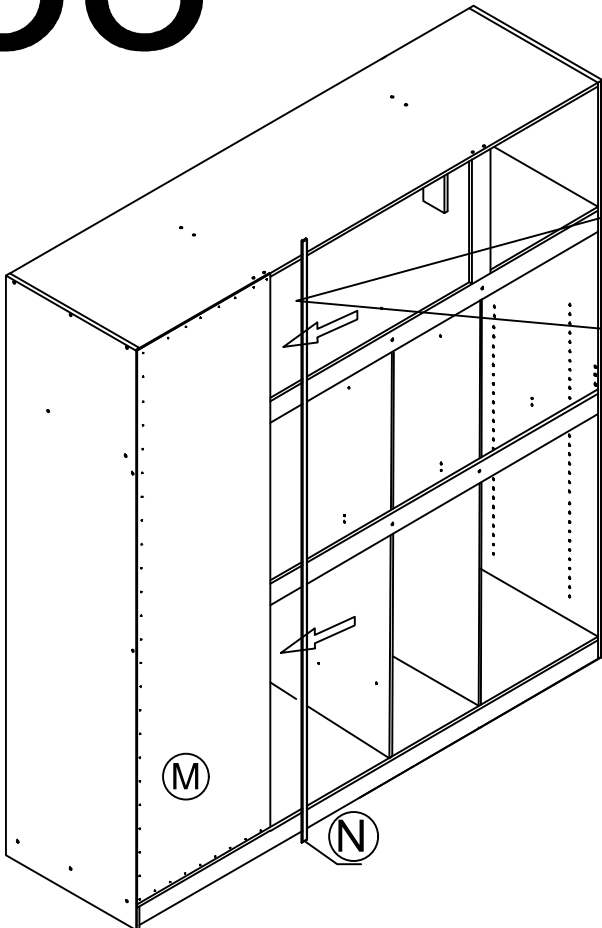


37

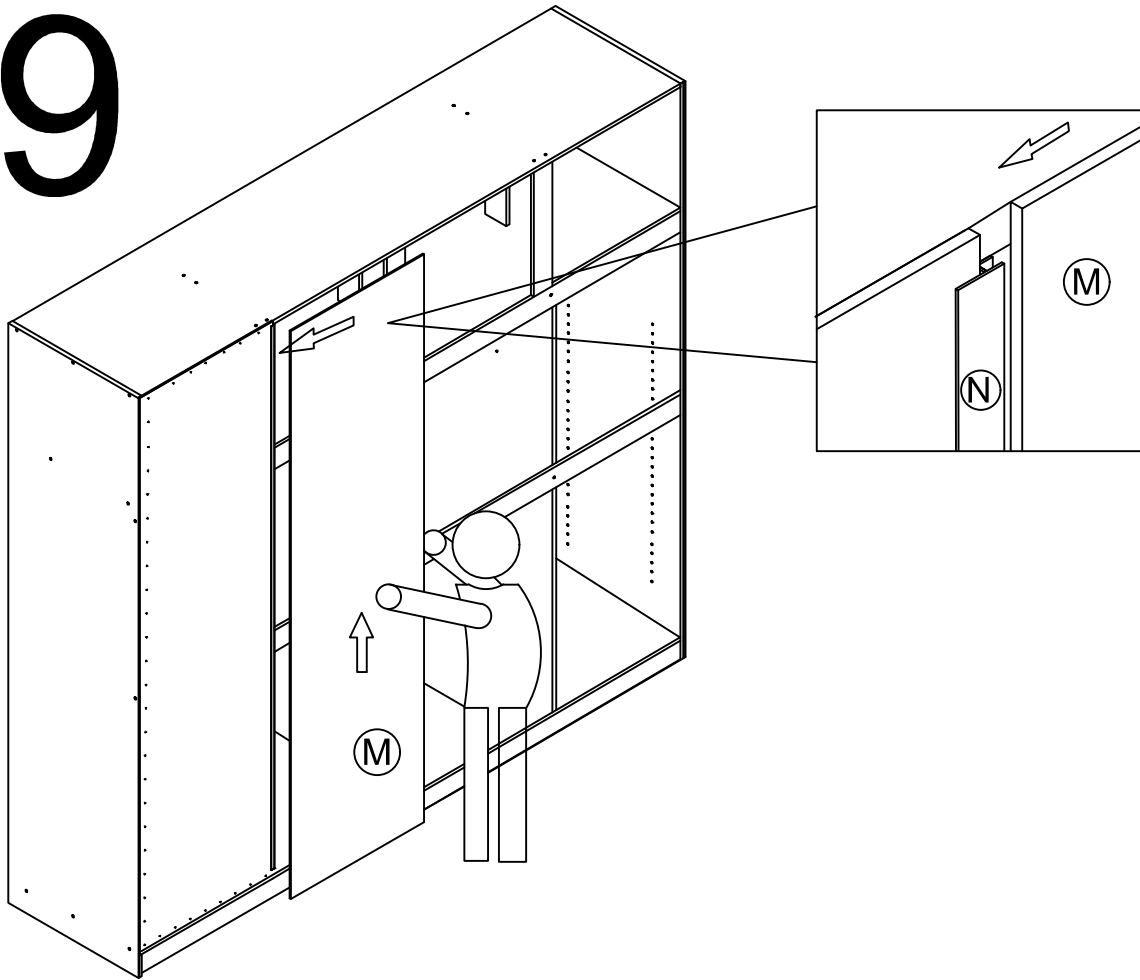

⑧ x 33



38

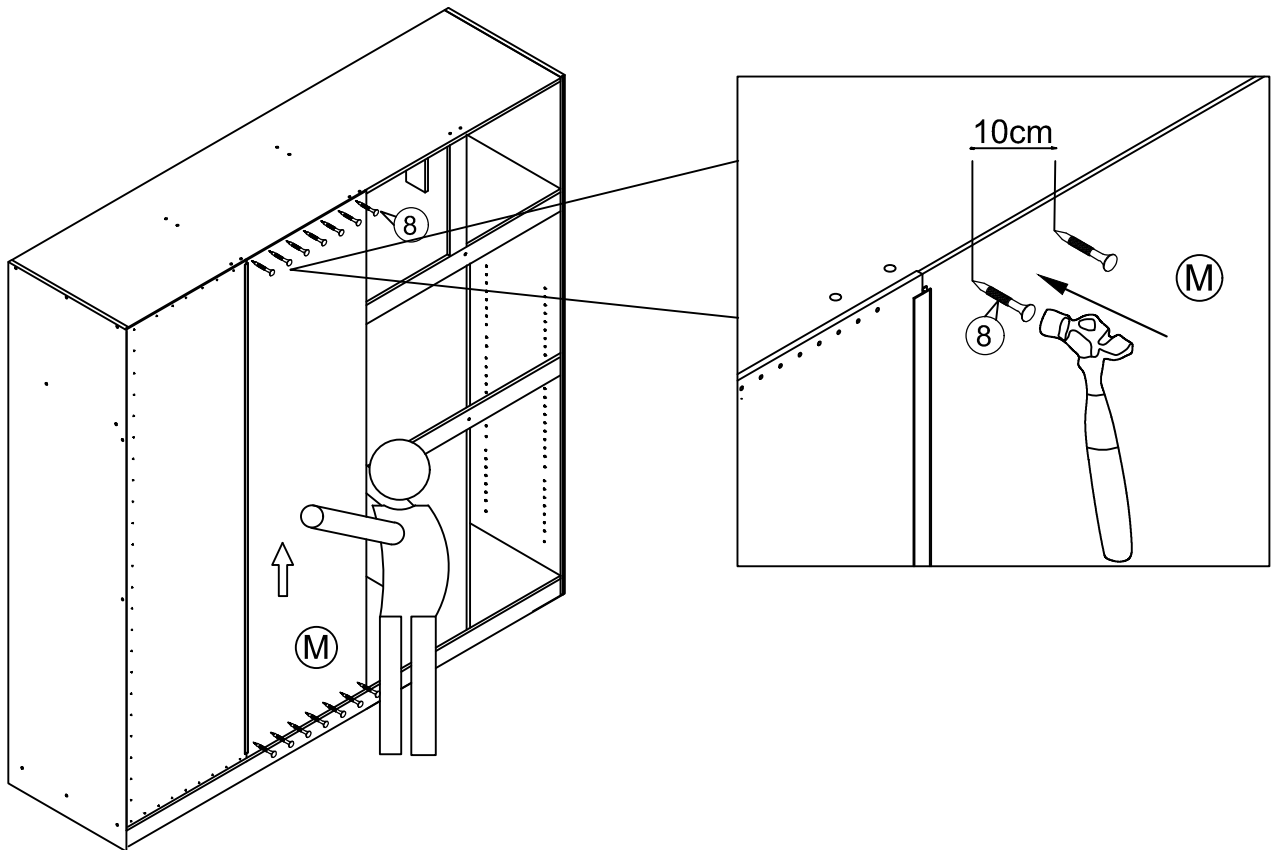


39

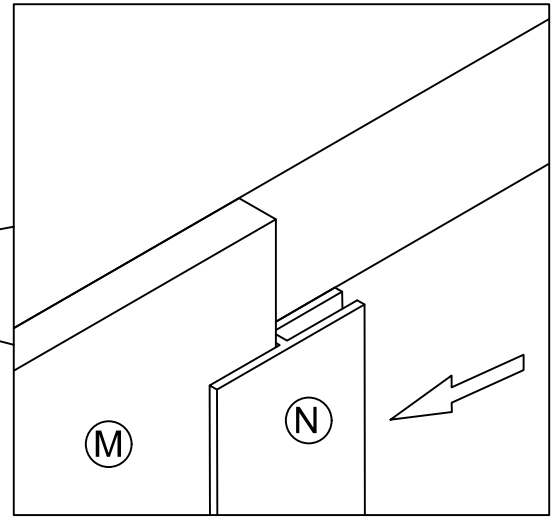
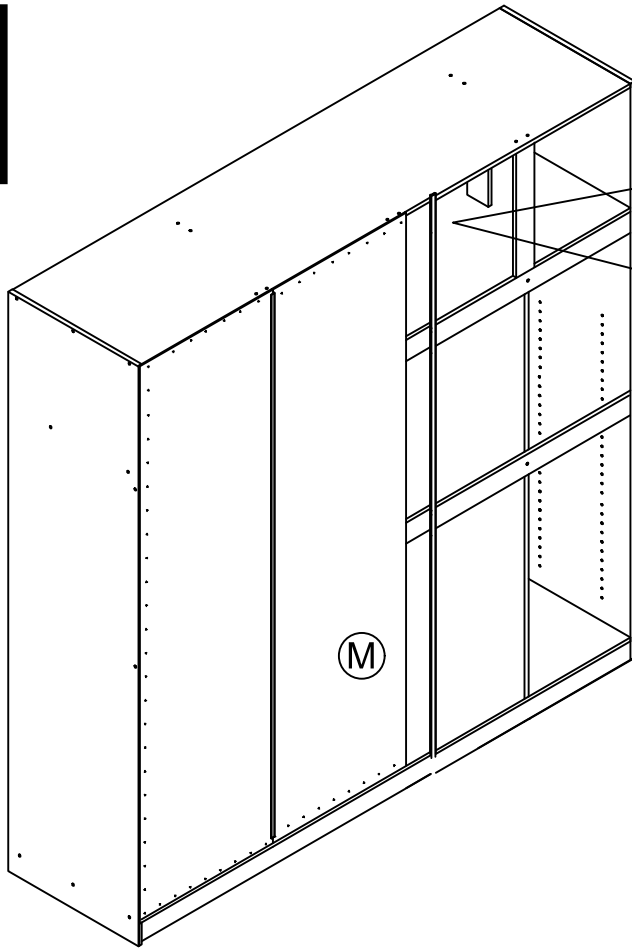


40

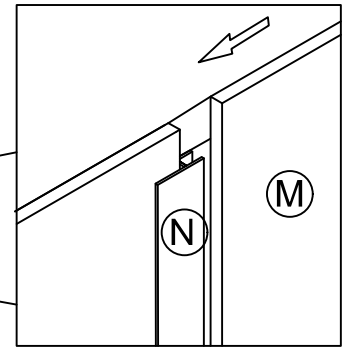
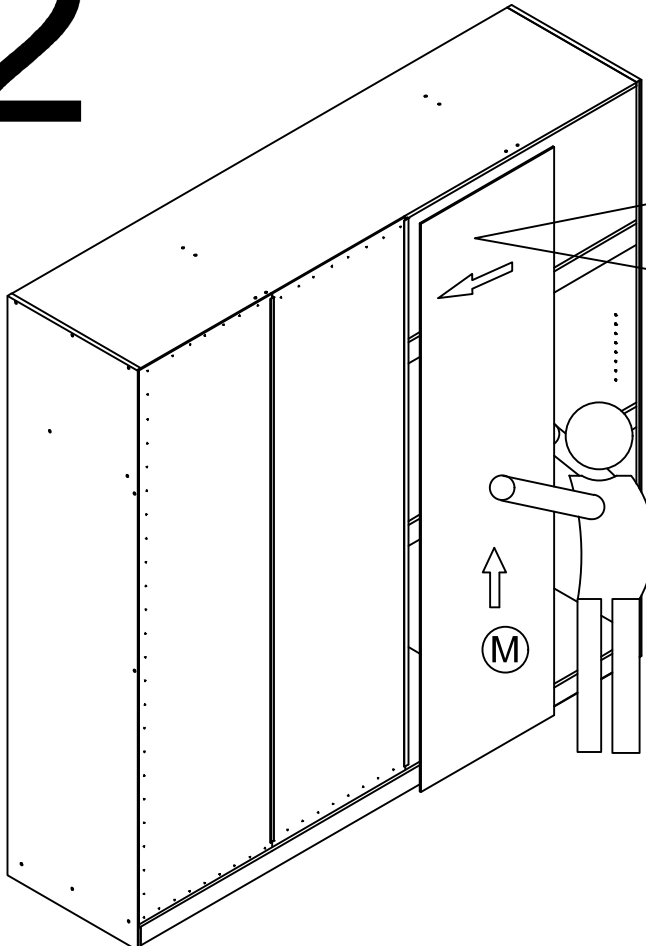
8 x 14




41

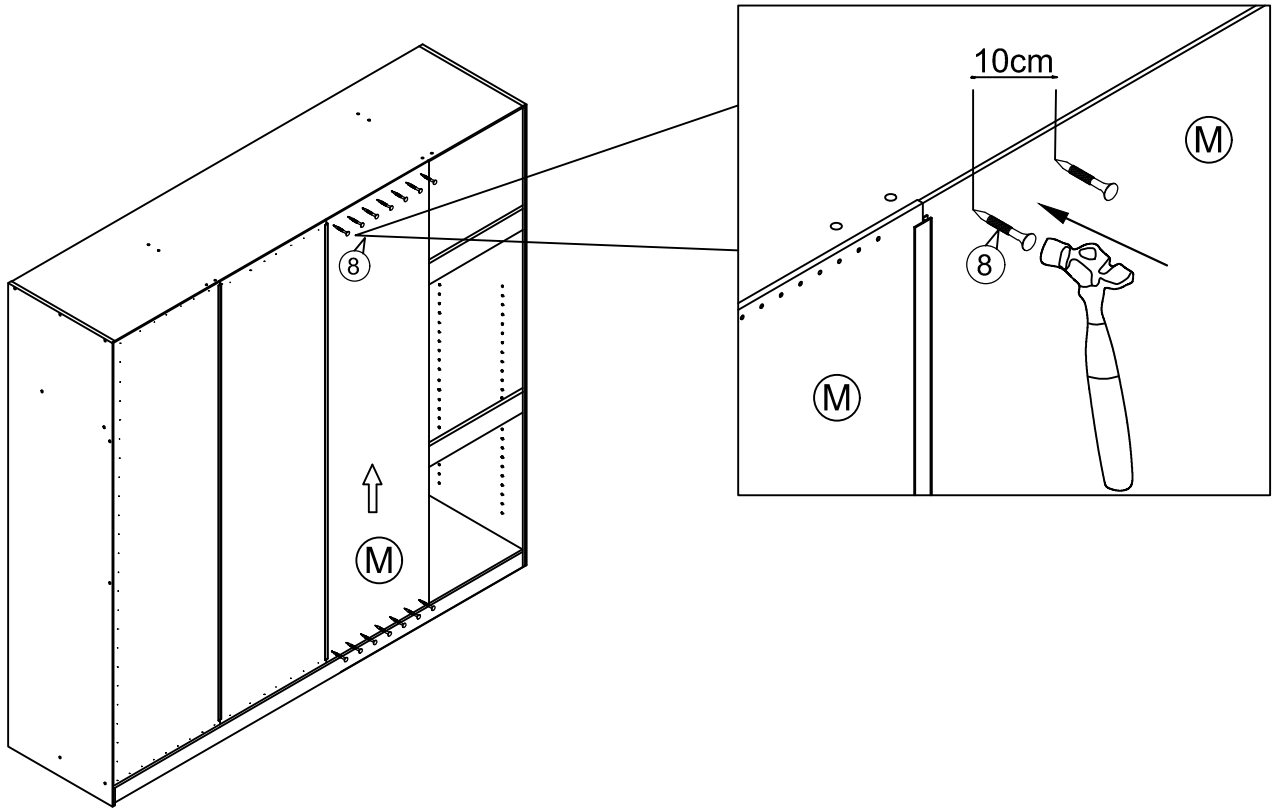


42

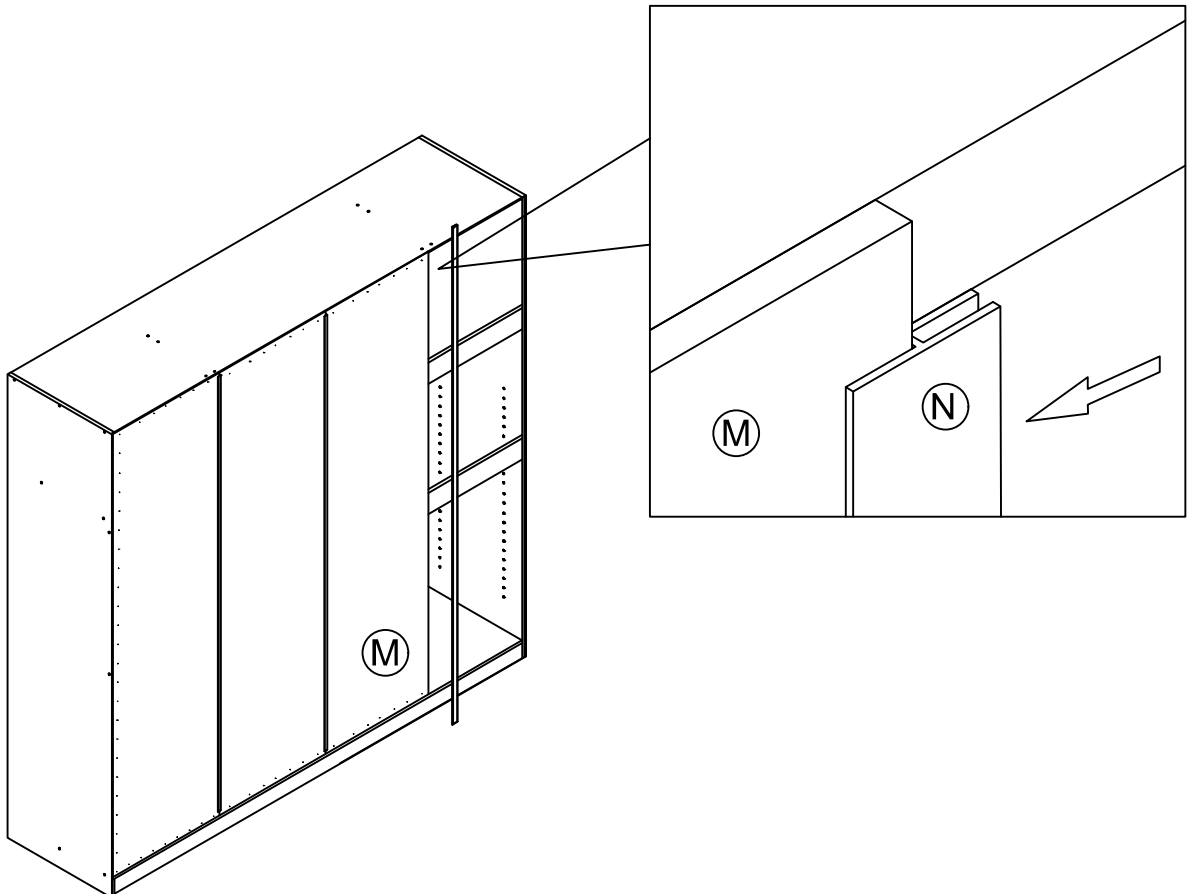


43

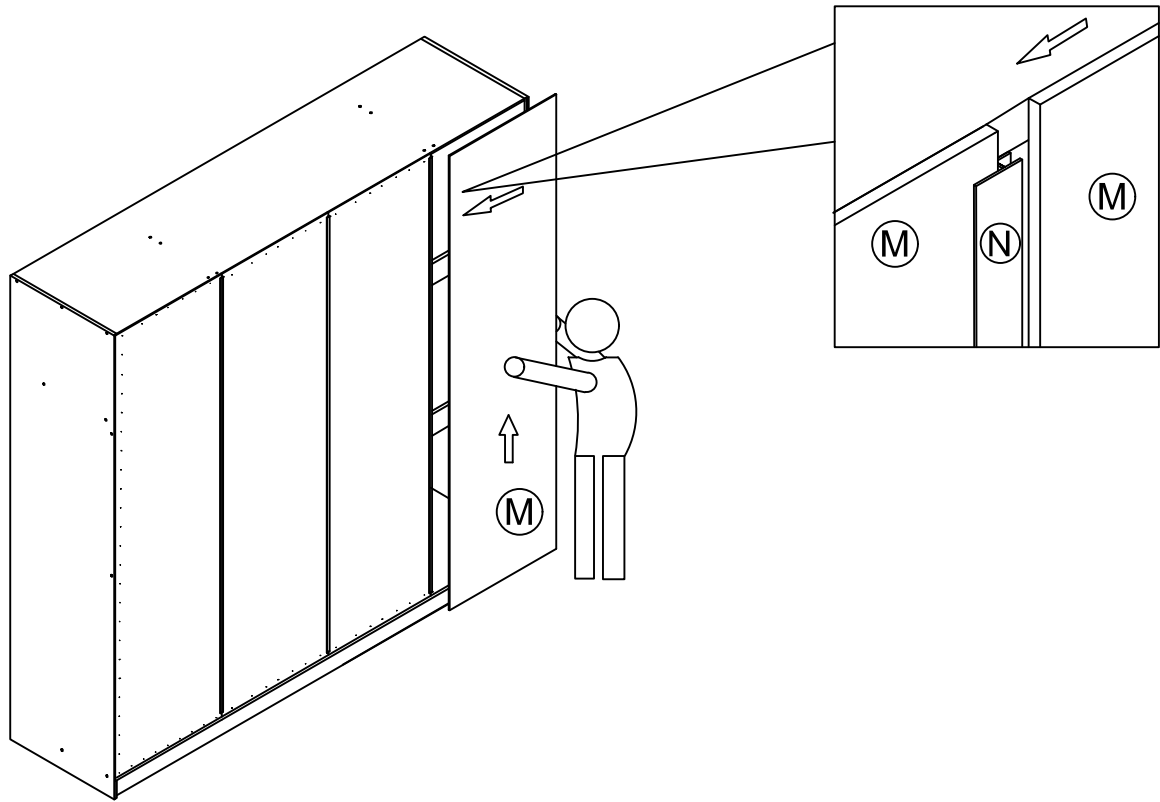
 ⑧ x 14




44

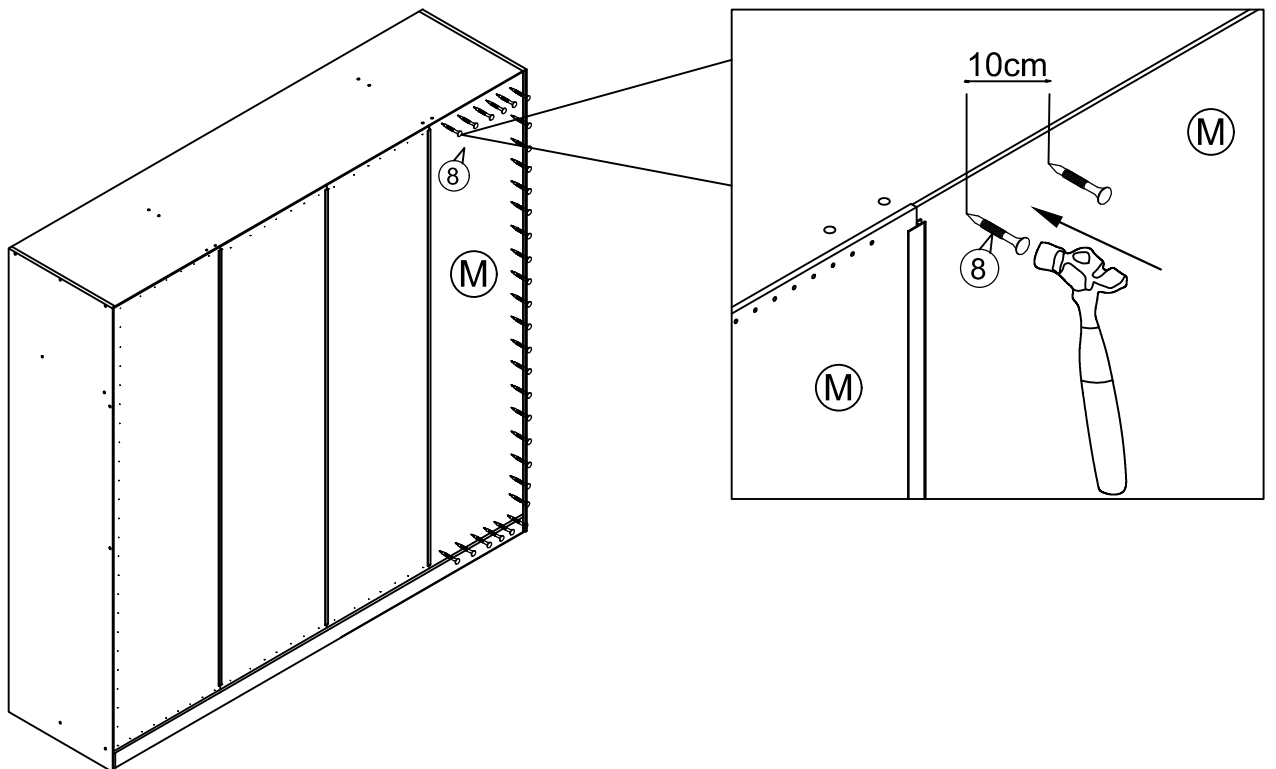


45



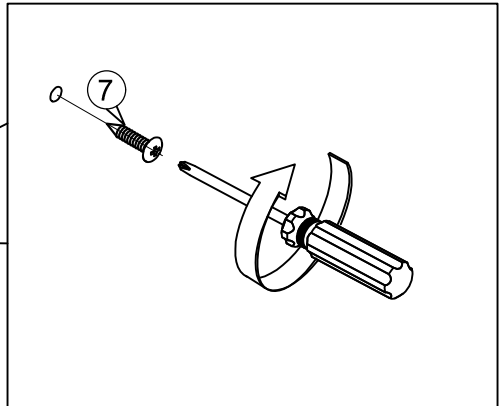
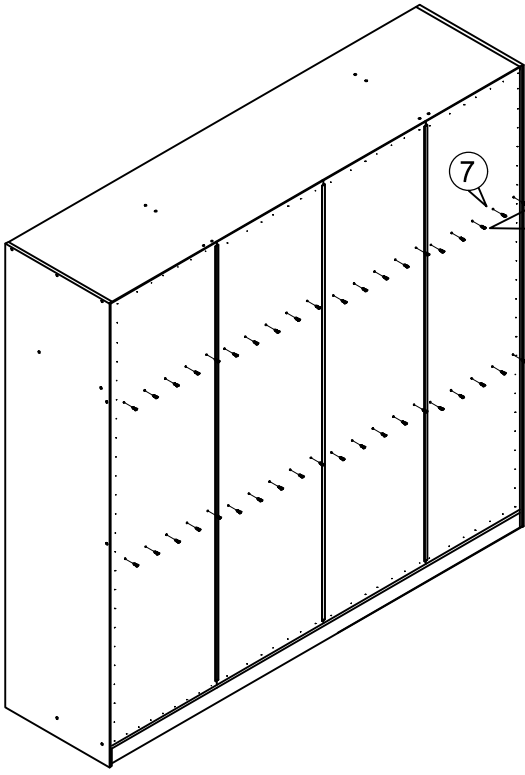
46

 8 x 33



47

⑦ x 40



SAFETY BRACKETS INSTRUCTIONS

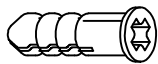
This furniture poses a tipping risk and as such must be secured to a wall using the provided tipping kit.

1. Attach one Mounting plate to the wall with the Large screws. Make sure to attach the Mounting Plate into a stud. If mounting into brick or masonry you will need to acquire wall anchors. Please enquire with your local hardware supplier for appropriate fixings.
2. Attach the second Mounting Plate to the furniture frame with the Short screws .
3. Move the furniter to its final position. Thread a Wall Strap through the both Mounting Plated and tighten until snug. Do not over tighten.
4. Make sure that the Mounting Plated are firmly attached to the wall and fumiture and that the Wall Strap is snug.

HARDWARE



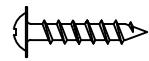
3 PCS
20 x 40 x 1.2mm
Wall Bracket



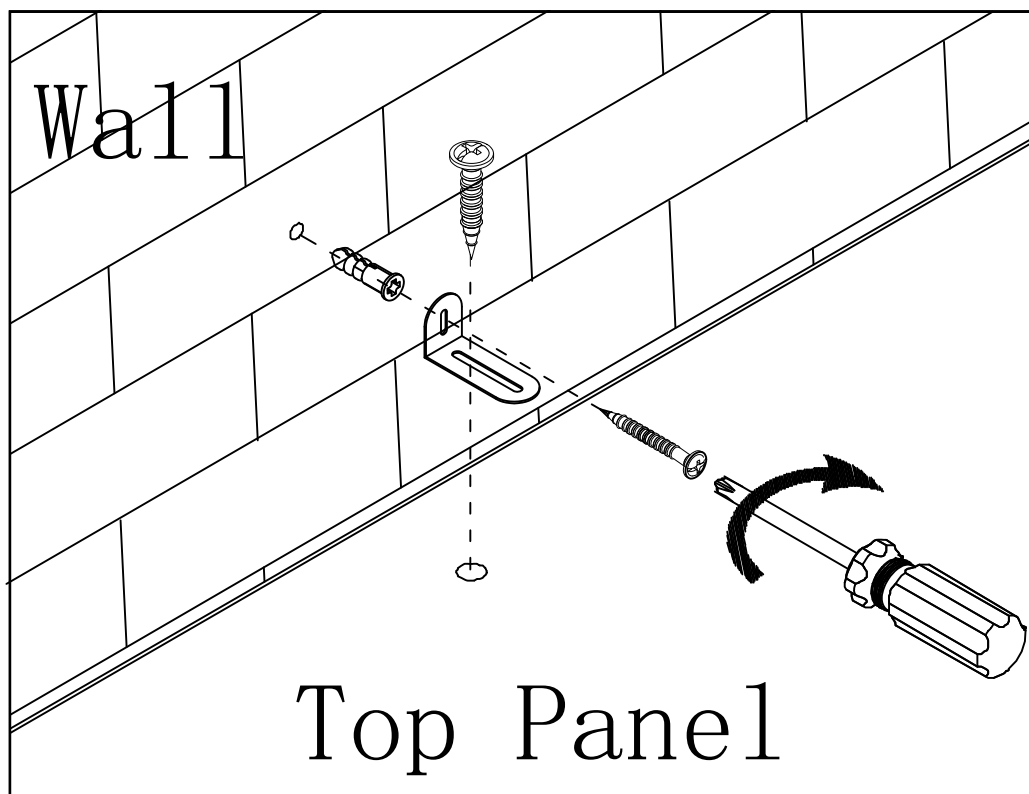
3 PCS
Ø9 x Ø6 x 25mm
Plastic Screw



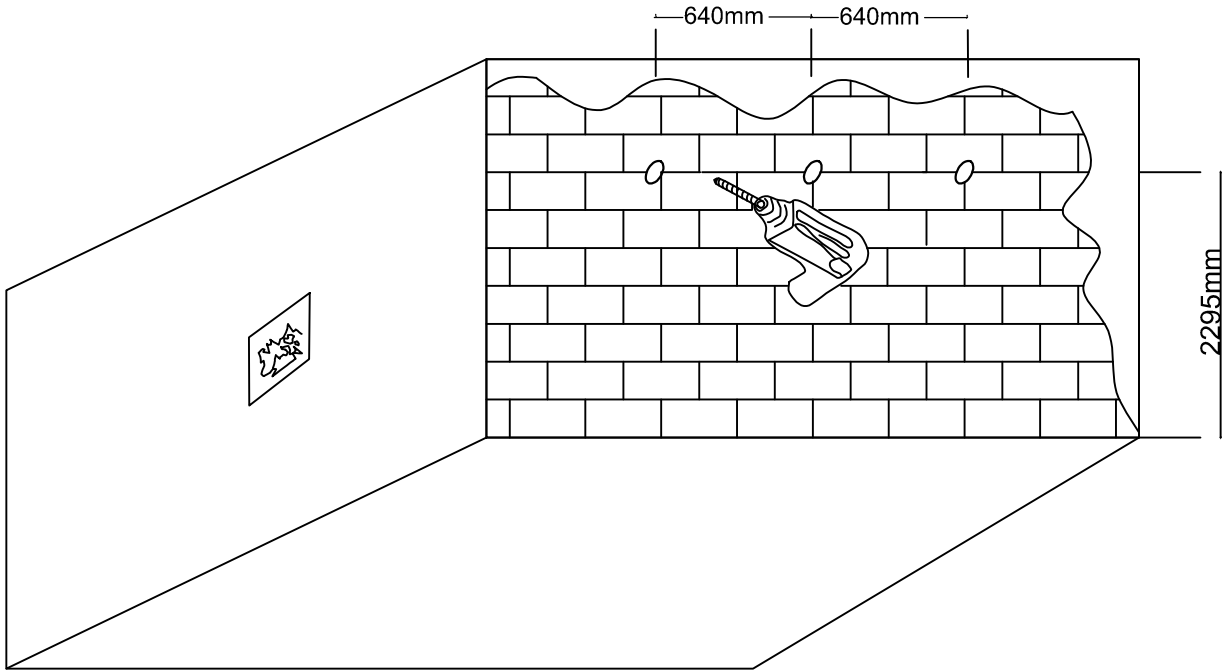
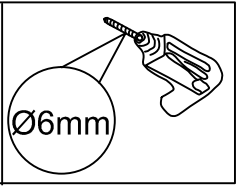
3 PCS
Ø9 x Ø4 x 15mm
Screw



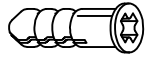
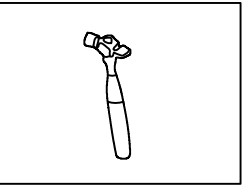
3 PCS
Ø9 x Ø4 x 25mm
Screw



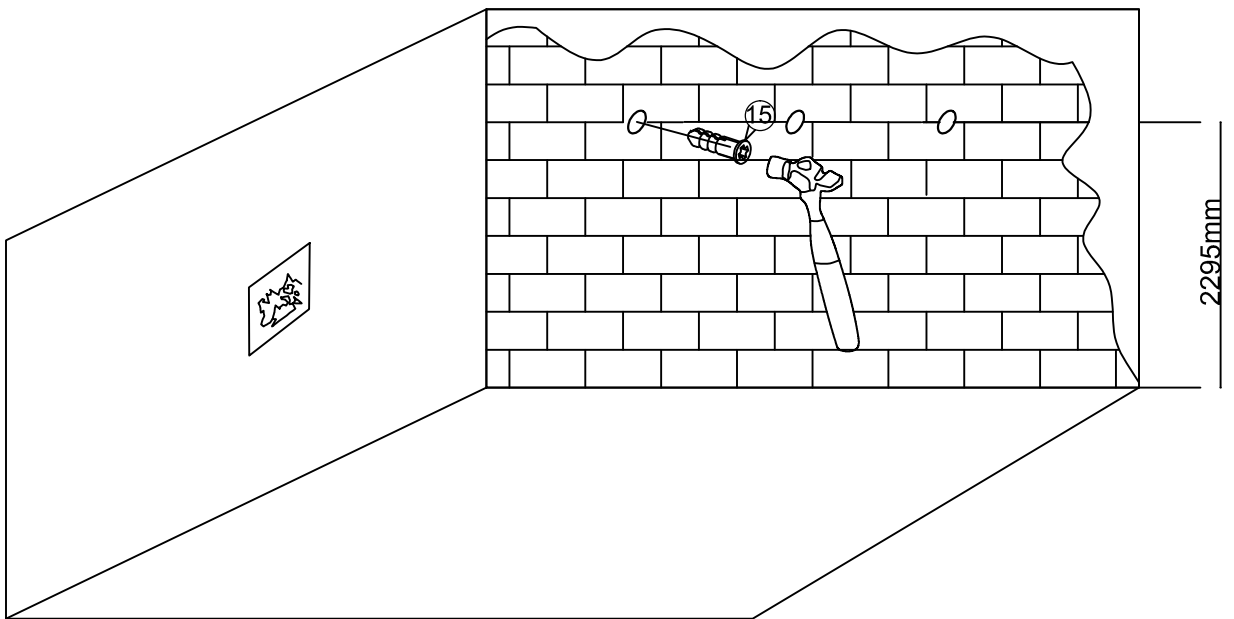
48



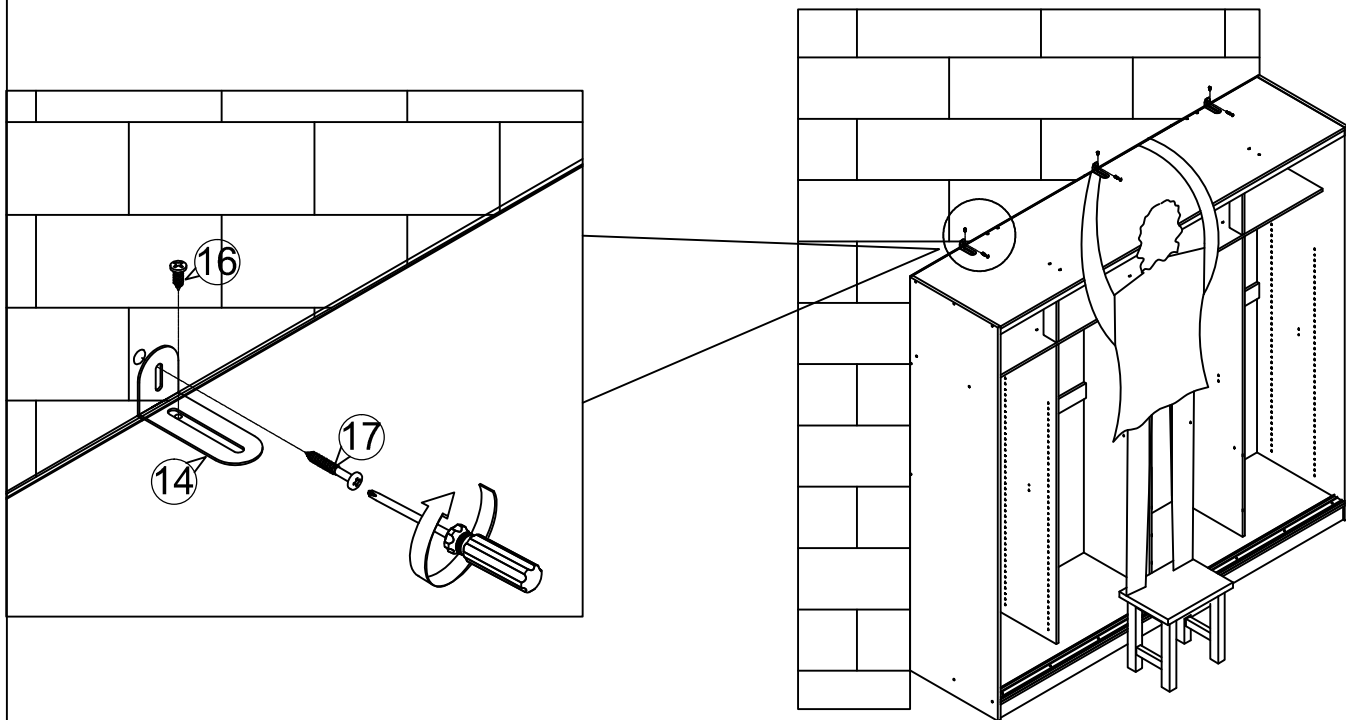
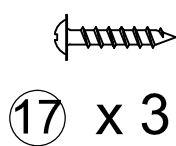
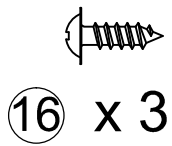
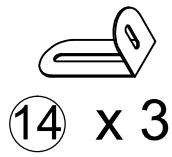
49



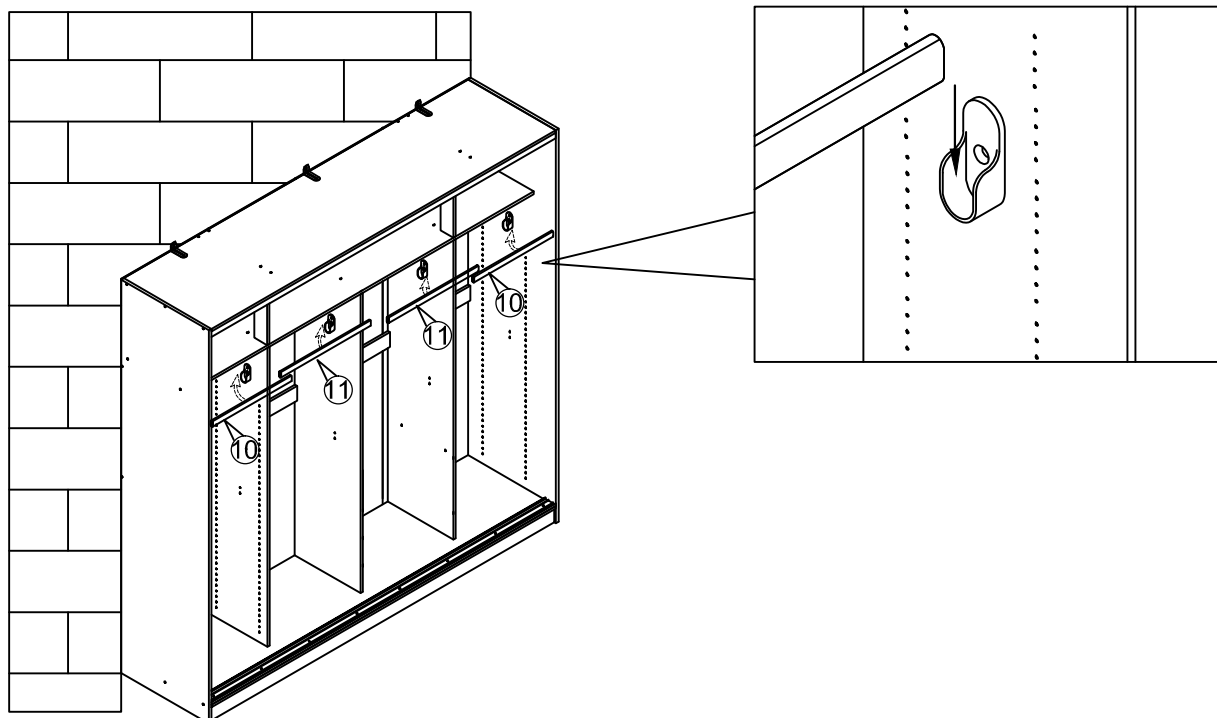
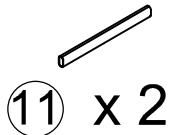
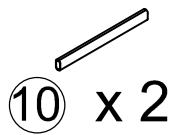
15 x 3



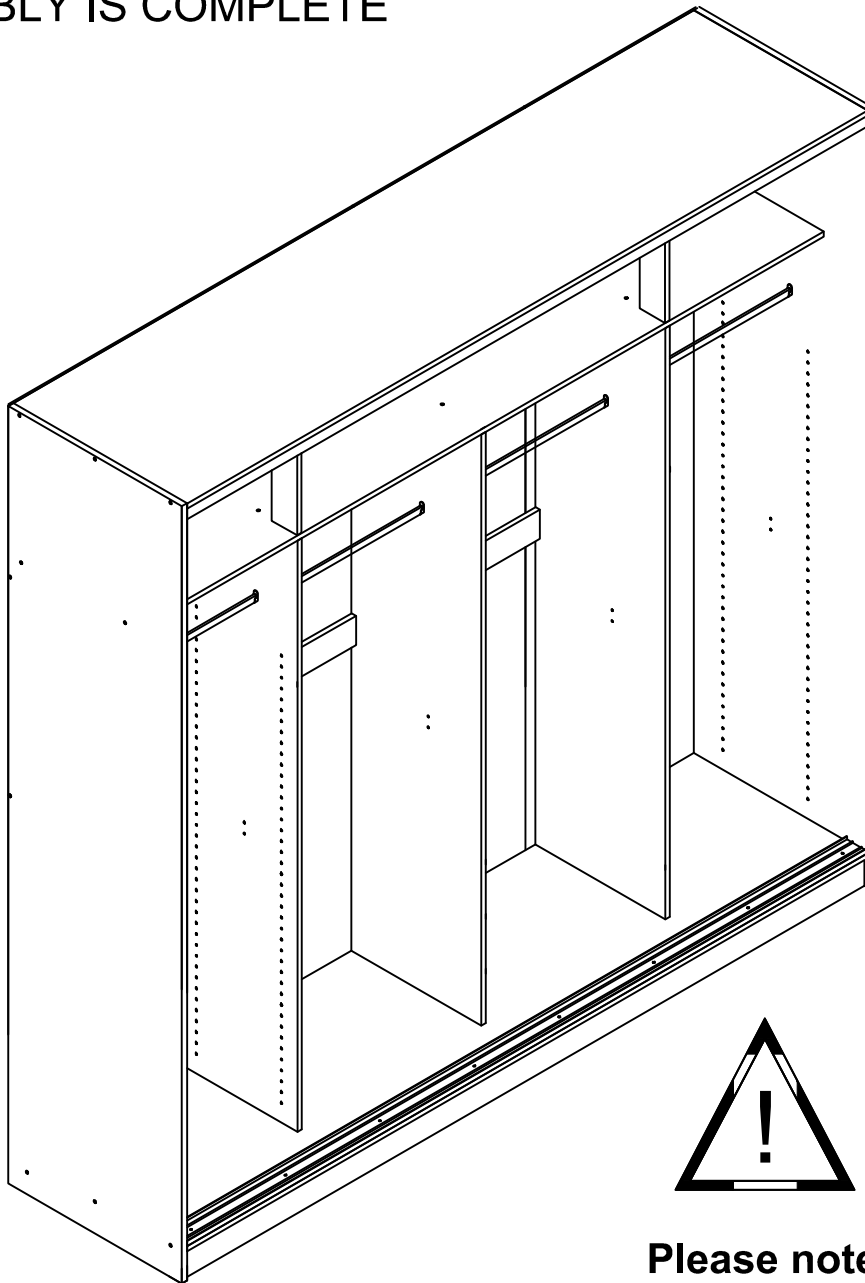
50



51



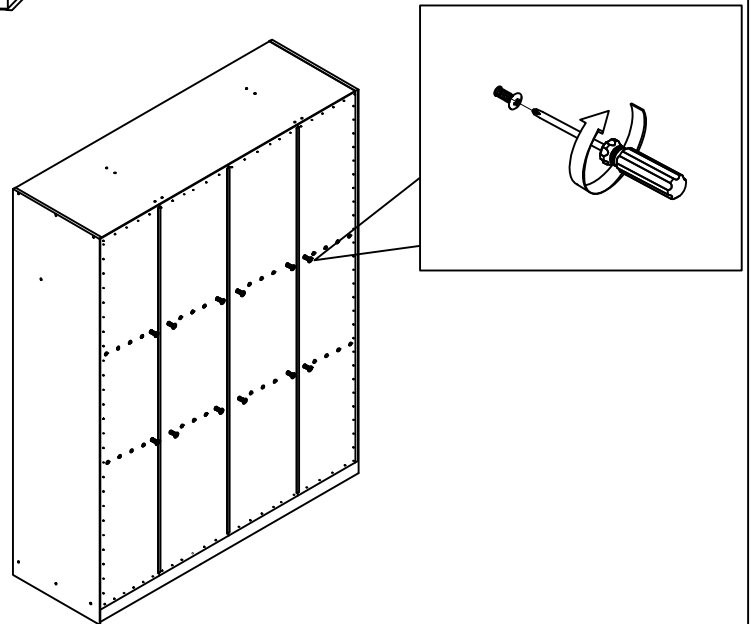
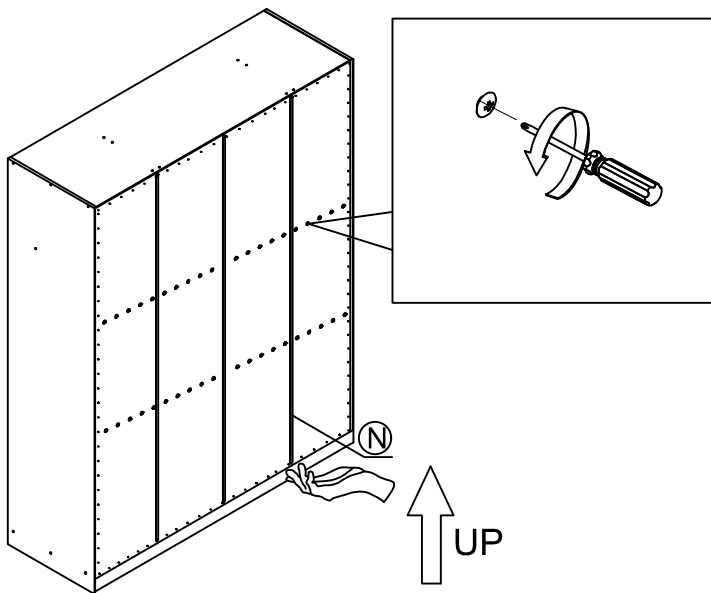
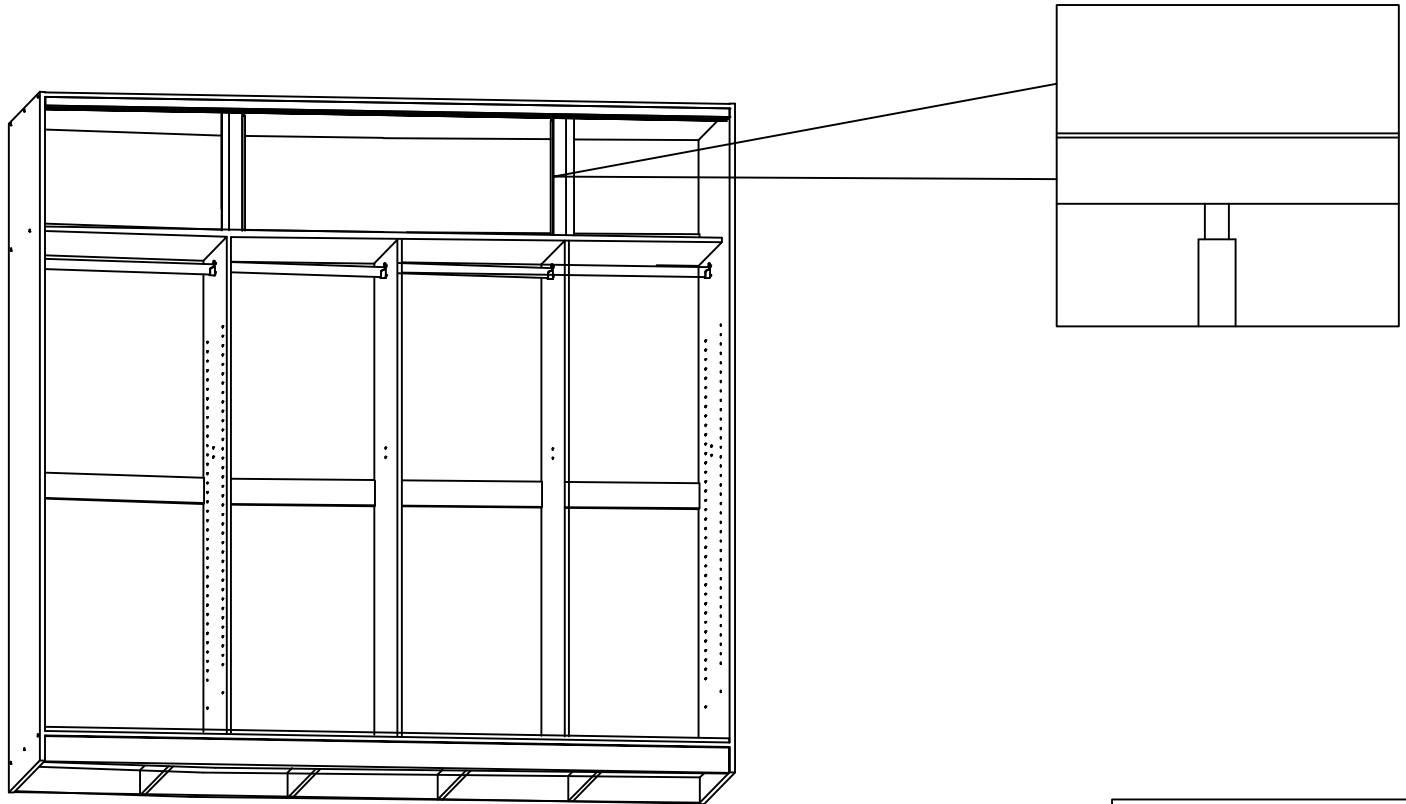
ASSEMBLY IS COMPLETE



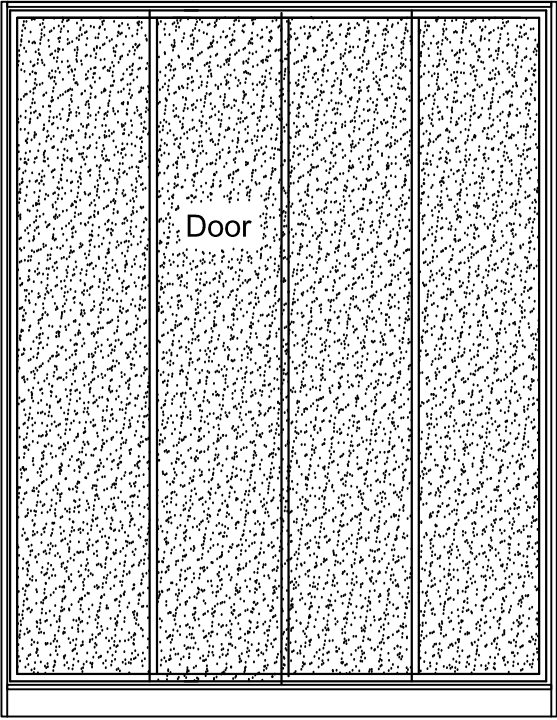
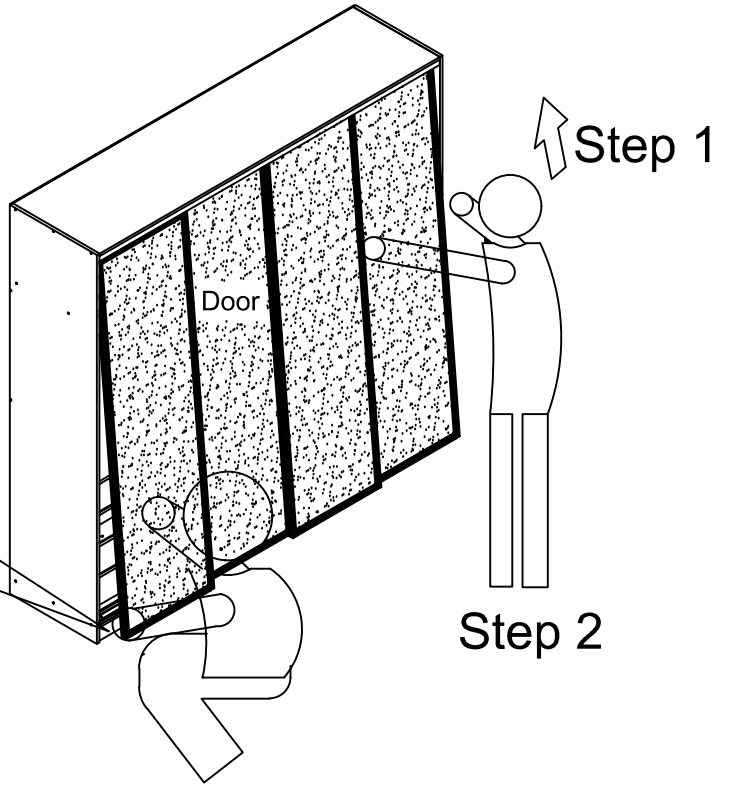
Please note – Some floors could possibly not be level or flat so it is best to ensure the wardrobe carcass frame is square and level prior to fitting of doors. This might involve the use of packing material under the base.

● IF YOU HAVE ISSUES — HELPFUL HINTS

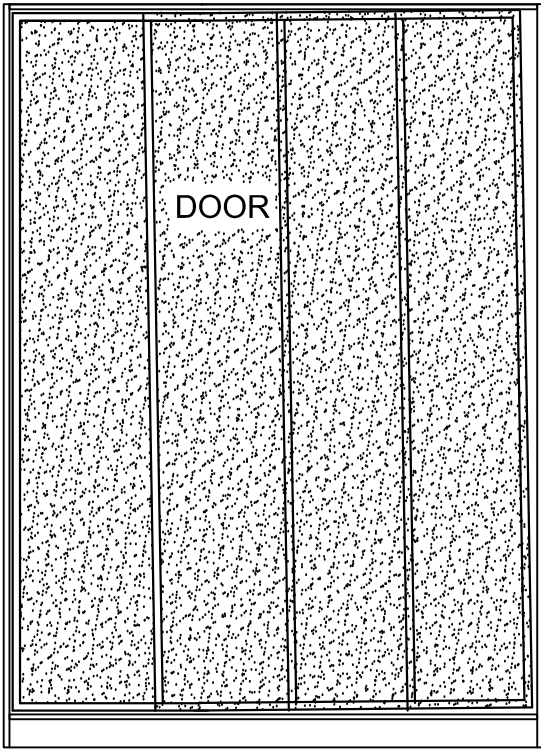
If back panel strap drop down with gap between back panel and top panel, loosen some screw beside back panel strap, then push back panel strap upward until contact with top panel and tight screws again.



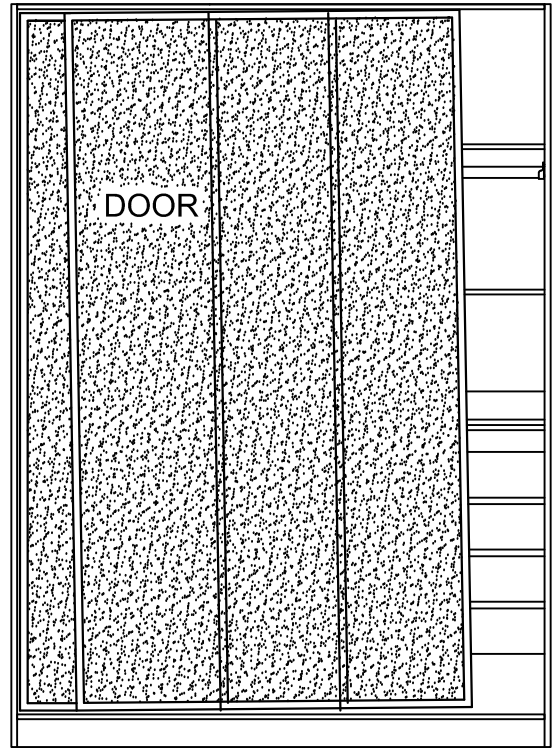
Please push the wheel into the door rail slot when the door collides with the bottom rail.



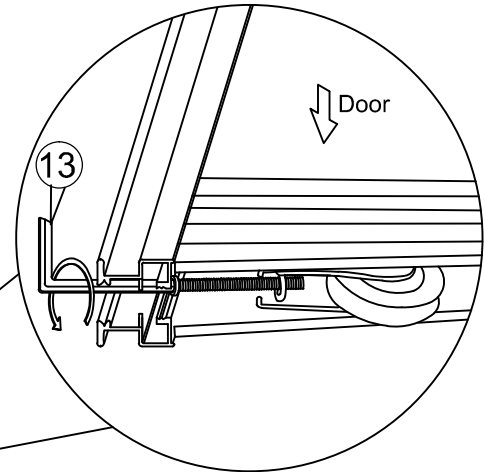
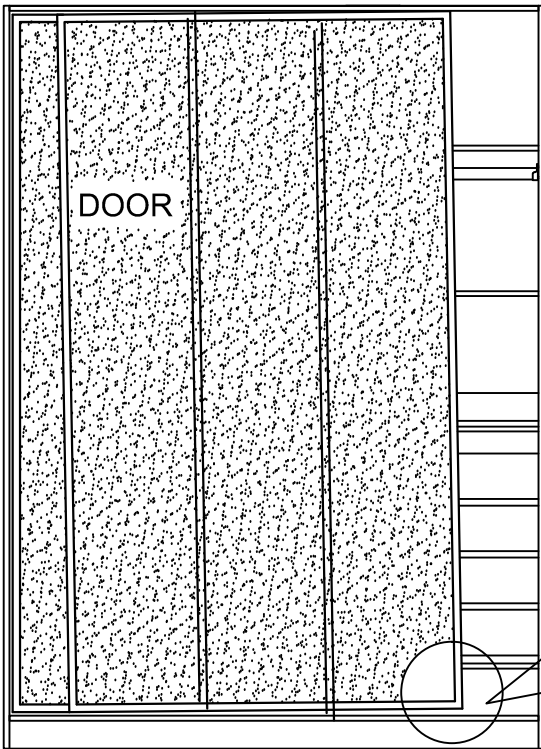
Normally the vertical edge of door should be aligned with the wardrobe side panel. Refer to below instruction if it's not.



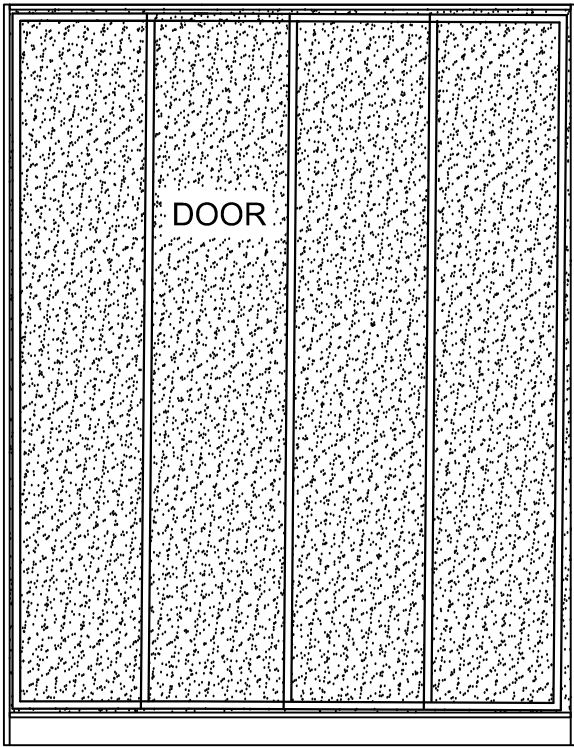
Condition



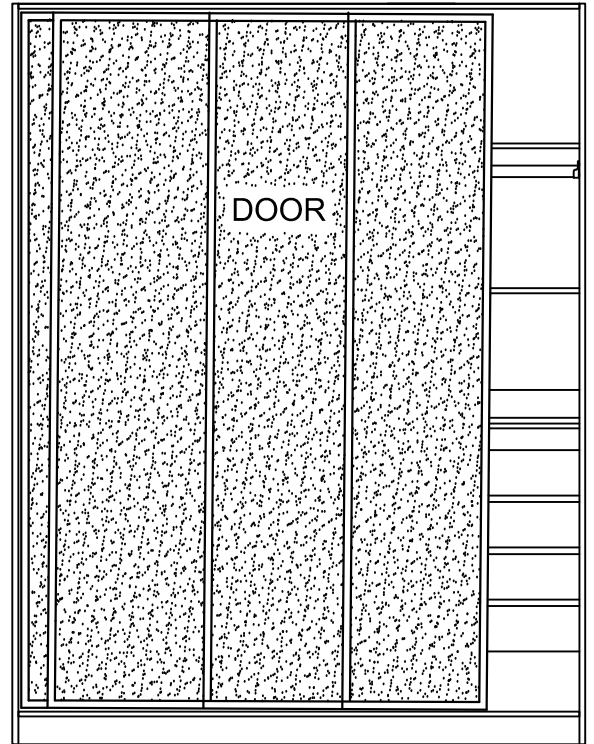
Move the tilted door to middle position.



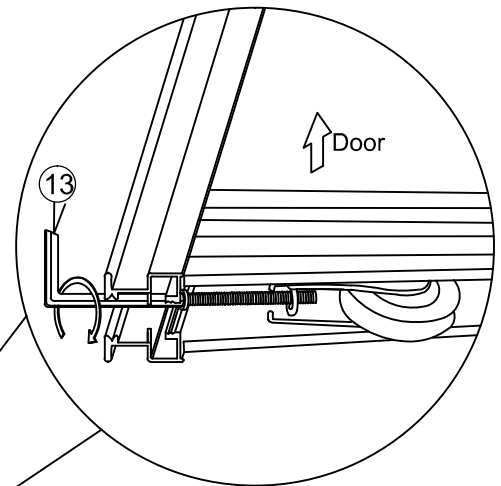
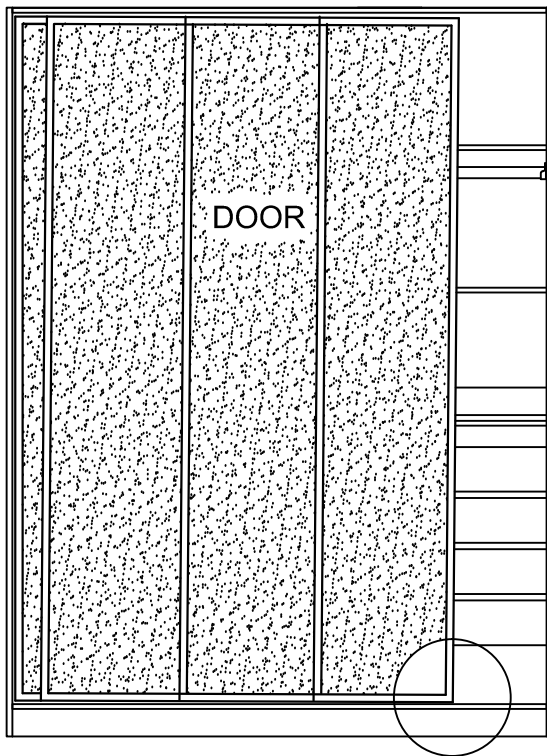
- *Turn allen wrench anticlockwise a little and remove it.
- *Slide the door to side end and check if it aligns with the side panel.
- *You may repeat the procedure several times until the door is perfectly aligned.



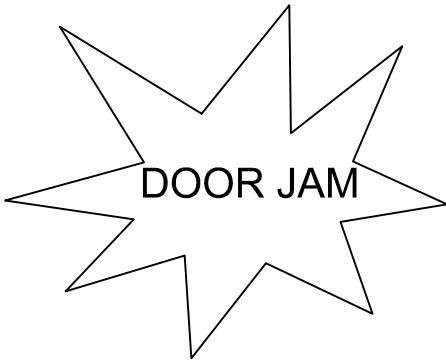
Condition



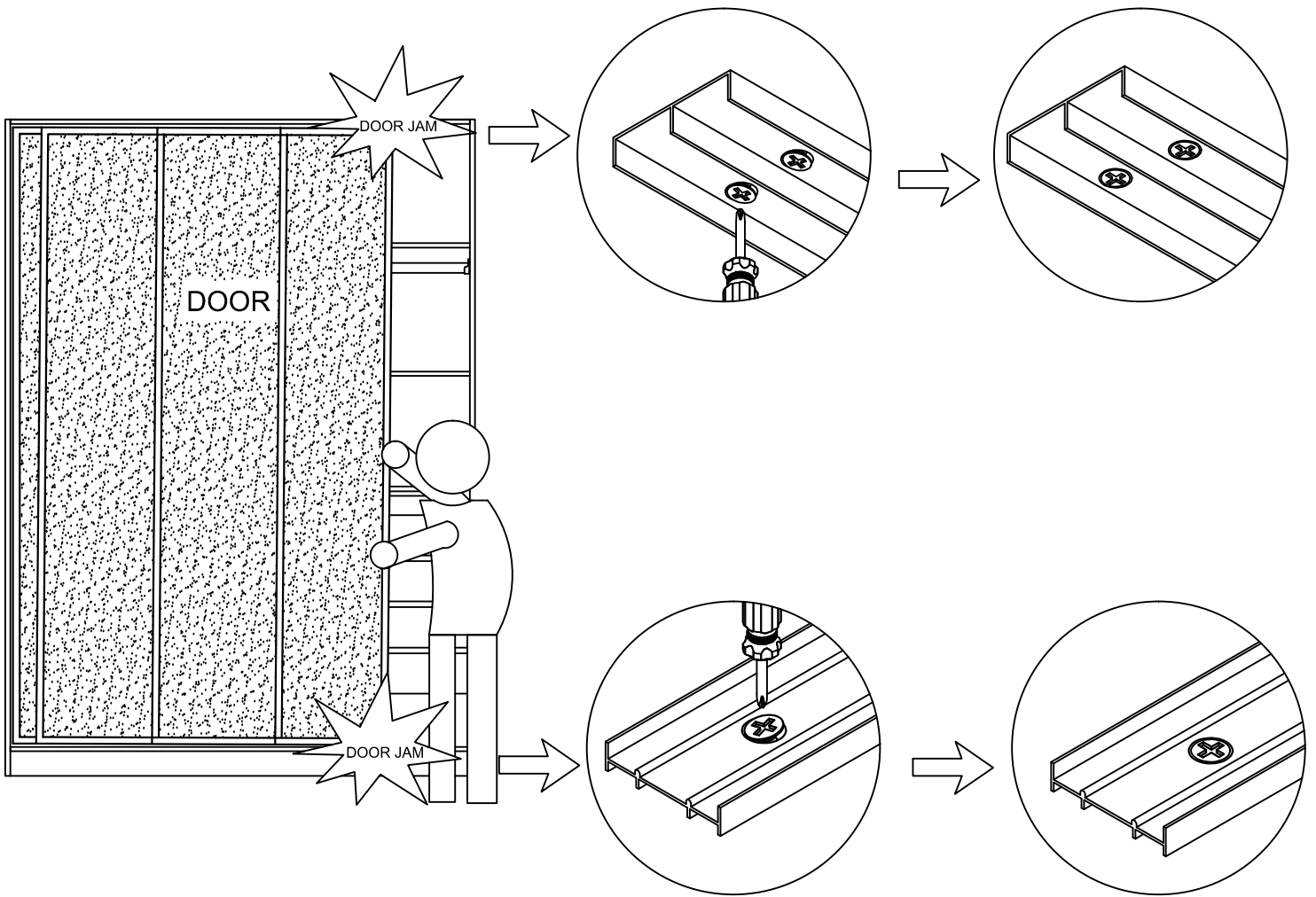
Move the tilted door to middle position.



- *Turn allen wrench clockwise a little and remove it.
- *Slide the door to side end and check if it aligns with the side panel.
- *You may repeat the procedure several times until the door is perfectly aligned.



If a door jams against the rail, try re-tightening screws as follows(either on top or bottom rail).



Product Care



Our furniture is built to last. Following these steps for basic care should protect your investment for years to come

- Dust frequently with a clean damp lint-free cloth. This will help remove abrasive build up which can damage a finish over time
- Do not place hot objects on any furniture surface. Always use a hot plate or placemat.
- Avoid exposing your furniture to strong sunlight, heat outlet, open windows or dampness. Prolonged exposure to direct sunlight can fade the finish of your furniture, while extreme temperature and humidity changes can cause cracking or splitting
- Do not expose your furniture to any liquids. Never allow water to sit on your furniture. Alcohol, nail polish and perfume are also dangerous as they will dissolve the finish on contact and may require professional repairs
- Do not allow plastic to come in direct contact with your furniture. Chemicals in the plastic of placemats etc. may soften and mark the finish if left in contact with the furniture for a period of time